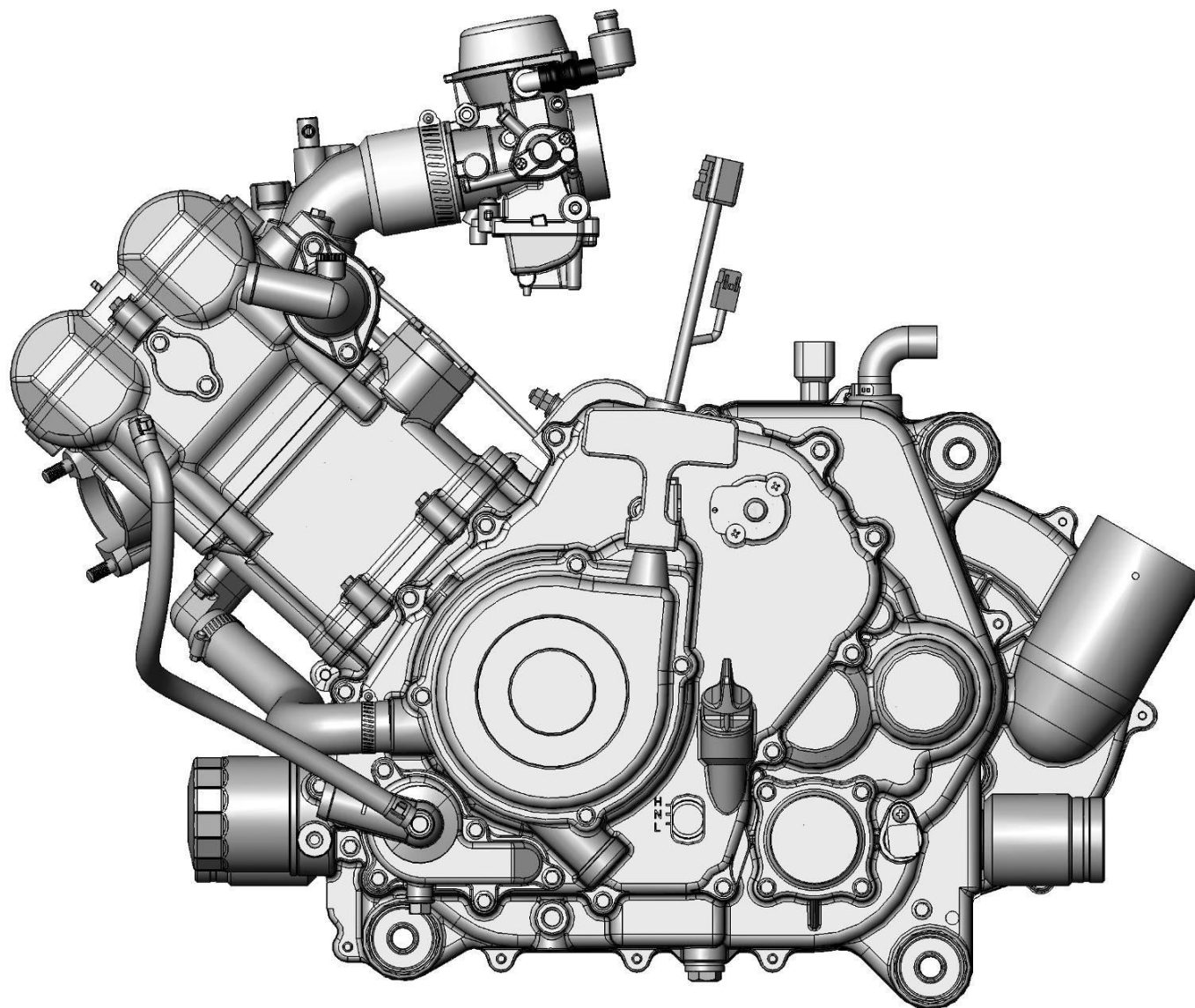


ENGINE

Dinli 702

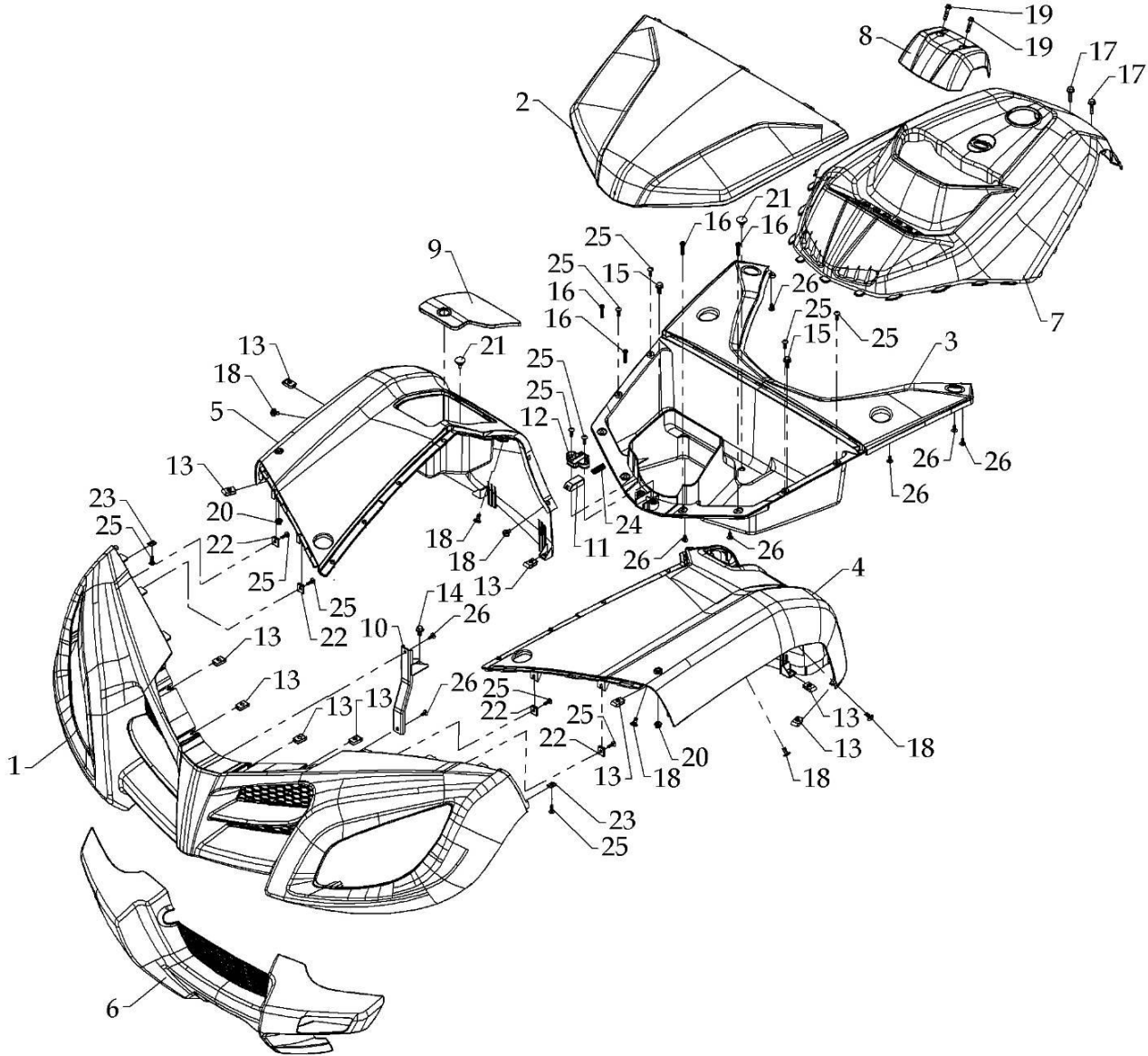


D1035-011A

ENGINE

Model	Item	Part no	Description	Specification	Quantity	Excl. moms	Inkl. moms
	01	E150000A01	ENGINE	CAB	1	18000,00	22500,00

FRONT FENDER

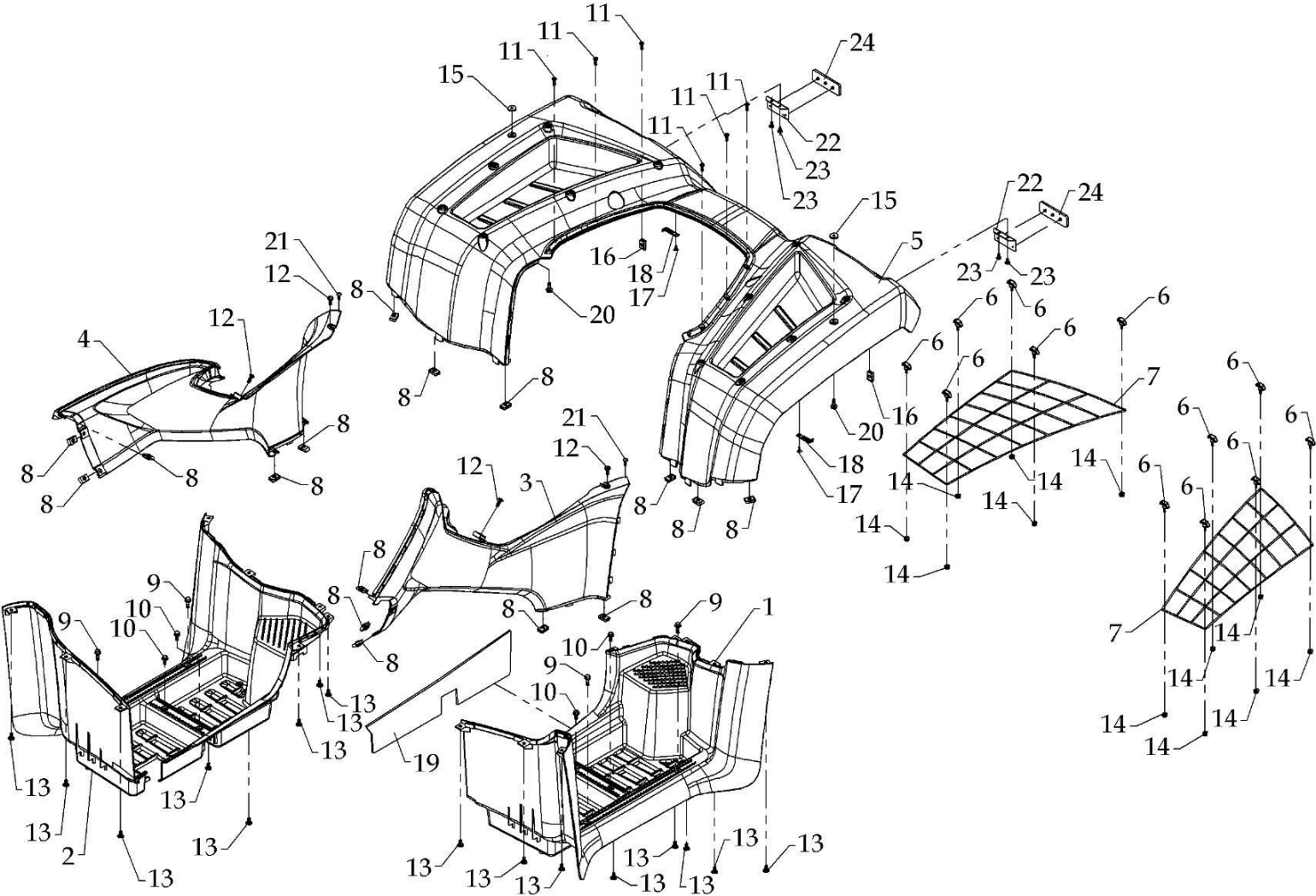


D1035-021A

FRONT FENDER

Model	Item	Part no	Description	Specification	Quantity	Excl. moms	Inkl. moms
	01	F210001-15	HEADLIGHT SHADE		1	646,80	808,50
	02	F210002-26	DECORATION, FRONT FENDER		1	597,90	747,38
	03	F210003-26	MAINTENANCE COMPARTMENT		1	451,44	564,30
	04	F210004-98	FRONT FENDER	LEFT SIDE	1	410,40	513,00
	05	F210005-98	FRONT FENDER	RIGHT SIDE	1	410,40	513,00
	06	F210006-15	UNDER COVER,FRONT FENDER		1	303,90	379,88
	07	F210007-26	DECORATION,FUEL TANK		1	419,94	524,93
	08	F210016-98	HANDLEAR HOLDER COVER		1	115,20	144,00
	09	F210017-98	GLOVE COMPARTMENT COVER		1	108,00	135,00
	10	F210052-48	FRONT LIGHT COVER		1	75,00	93,75
	11	F210138-98	HOOK		1	1,50	1,88
	12	F210139-98	HOOK,COVER		1	2,10	2,63
	13	F020195-43	CLIP NUT	M6×1.0	10	5,40	6,75
	14	A050017-41	HEX WASHER FACE BOLT	M6×1.0×12L	1	1,50	1,88
	15	A050024-41	HEX WASHER FACE BOLT	M6×1.0×16L	2	2,10	2,63
	16	A050042-41	SCREW	M6×1.0×25L	4	0,90	1,13
	17	A050077-43	HEX WASHER FACE BOLT	M6×1.0×25L	2	1,80	2,25
	18	A050091-41	MACHINE SCREW	M6×1.0×12L	6	3,00	3,75
	19	A050121-41	HEXAGONAL FLANGE BOLT	M6×1.0×25L	2	3,30	4,13
	20	A060053-41	HEX INSERT LOCK NUT	M6×1.0	2	3,90	4,88
	21	A090050-00	PLUG		2	9,00	11,25
	22	A100027-43	FIXED PLATE		4	5,10	6,38
	23	A100038-43	FIXED PLATE		2	3,00	3,75
	24	A110062-00	SPRING		1	6,60	8,25
	25	A130005-43	TAPPING SCREW	5mm×16	12	0,90	1,13
	26	A130018-43	TAPPING SCREW	5mm×12L	8	0,90	1,13

REAR FENDER

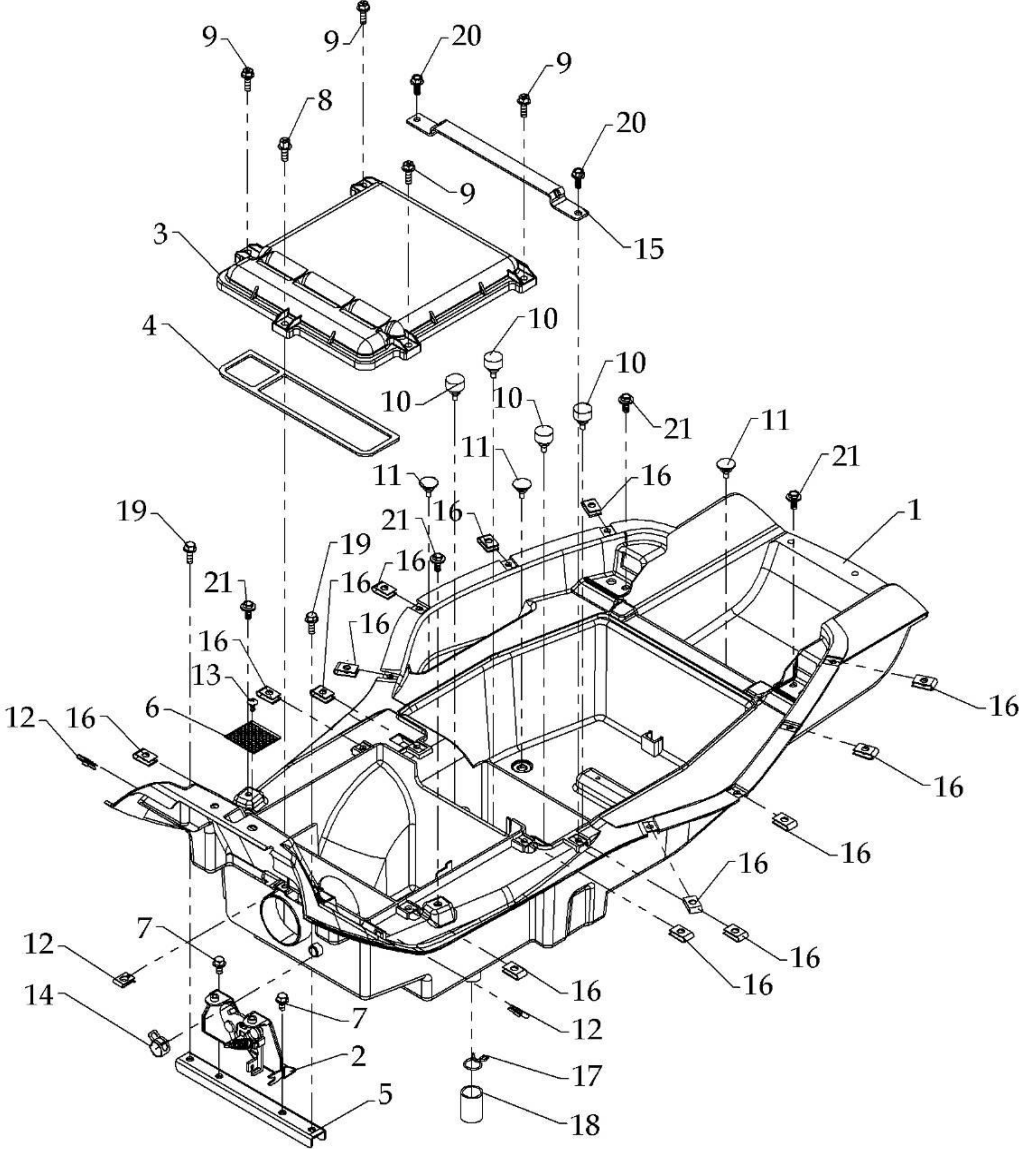


D1035-031A

REAR FENDER

Model	Item	Part no	Description	Specification	Quantity	Excl. moms	Inkl. moms
	01	F210008-15	LEFT FOOT BOARD		1	410,04	512,55
	02	F210009-15	RIGHT FOOT BOARD		1	406,44	508,05
	03	F210010-25	DECORATION,BODY	LEFT SIDE	1	535,50	669,38
	04	F210011-25	DECORATION,BODY	RIGHT SIDE	1	535,50	669,38
	05	F210019A98	REAR FENDER		1	728,10	910,13
	06	F210043-00	CLIP		12	13,50	16,88
	07	F210134-00	CARGO NETS		1	69,00	86,25
	08	F020195-43	CLIP NUT	M6×1.0	16	5,40	6,75
	09	A050016-41	HEX WASHER FACE BOLT	M6×1.0×20L	4	2,10	2,63
	10	A050024-41	HEX WASHER FACE BOLT	M6×1.0×16L	4	2,10	2,63
	11	A050032-41	SCREW	M6×1.0×16L	6	0,60	0,75
	12	A050059-44	PAN HEAD BOLT	M6×1.0×16L	4	3,90	4,88
	13	A050091-41	MACHINE SCREW	M6×1.0×12L	16	3,00	3,75
	14	A060078-00	NET		12	1,50	1,88
	15	A080102-00	RUBBER WASHER	Ø6×Ø19×3t	2	6,00	7,50
	16	A100036-42	CLIP NUT	M4	2	3,60	4,50
	17	A130024-43	TAPPING SCREW	4×12L	2	3,00	3,75
	18	A220021-00	CLIP		2	12,00	15,00
	19	F210121-00	HEAT INSULATION PAD		1	150,00	187,50
	20	A050272-41	HEX WASHER FACE BOLT	M6X1.0X18L	2	4,20	5,25
	21	A130005-43	TAPPING SCREW	5mm×16	2	0,90	1,13
	22	F210161-50	BRACKET, REFLECTER		2	22,50	28,13
	23	A130018-43	TAPPING SCREW	5mm×12L	4	0,90	1,13
	24	F020265-00	REFLECTER	RED	2	26,40	33,00

LUGGAGE COMPARTMENT

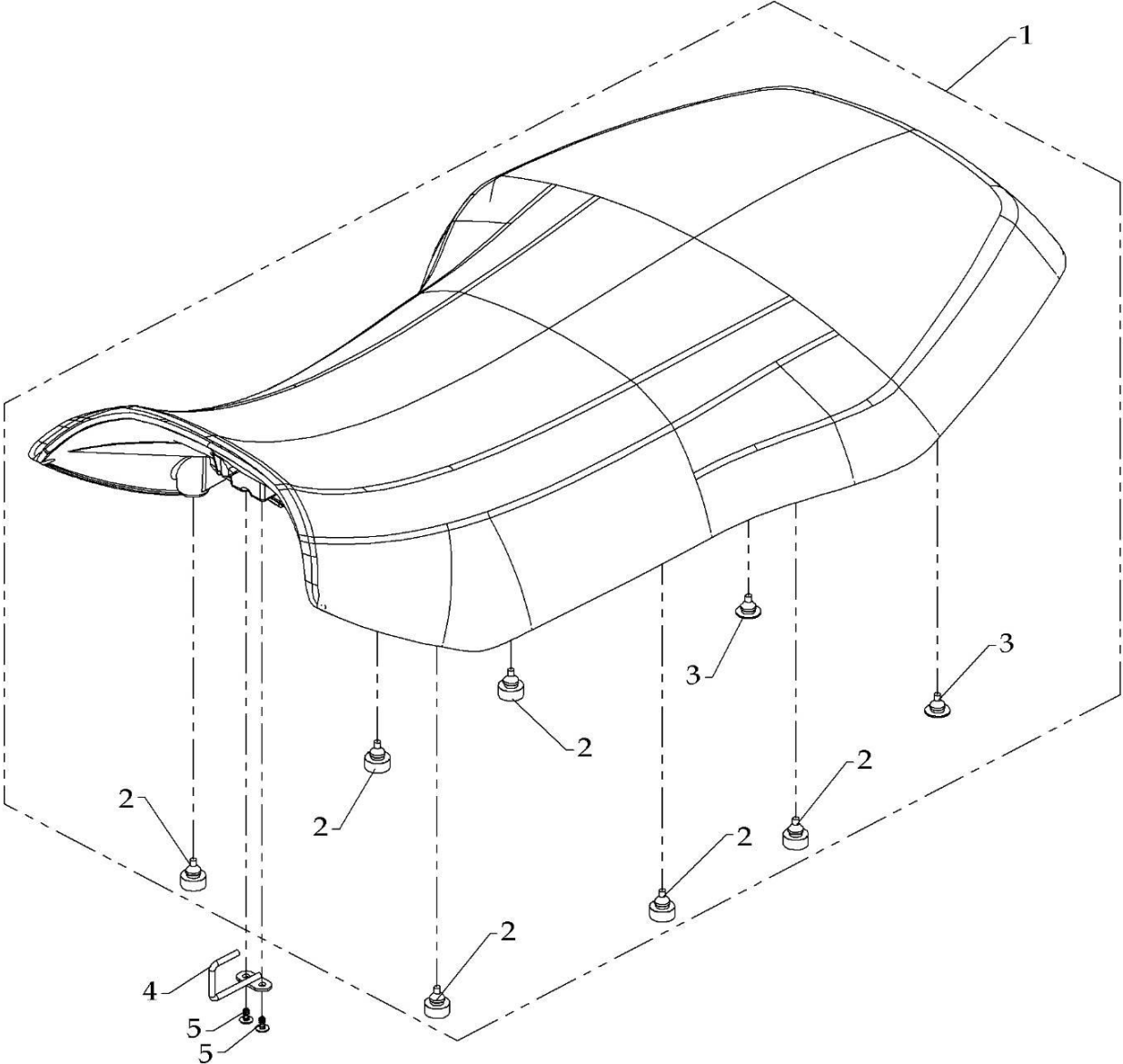


D1035-051A

LUGGAGE COMPARTMENT

Model	Item	Part no	Description	Specification	Quantity	Excl. moms	Inkl. moms
	01	F210013A12	LUGGAGE COMPARTMENT		1	676,26	845,33
	02	F210024-42	BRACKET, SEAT HOOK		1	165,00	206,25
	03	F210025-15	AIR CLEANER COVER		1	167,40	209,25
	04	F210026-00	GASKET		1	39,00	48,75
	05	F210042-50	BRACKET,SEAT HOOK		1	69,00	86,25
	06	F210133-00	SCREEN		1	21,90	27,38
	07	A050017-41	HEX WASHER FACE BOLT	M6×1.0×12L	2	1,50	1,88
	08	A050279-41	HEXAGONAL FLANGE CROSS BOLT	M6×1.0×18L	1	15,00	18,75
	09	A050280-41	HEXAGONAL FLANGE CROSS BOLT	M6×1.0×20L	4	15,00	18,75
	10	A090049-00	SHOCKPROOF		4	10,50	13,13
	11	A090050-00	PLUG		3	9,00	11,25
	12	A100037-42	CLIP NUT		3	7,50	9,38
	13	A130018-43	TAPPING SCREW	5mm×12L	1	0,90	1,13
	14	A220020-41	FUEL TUBE	Ø17×12×1.0t	1	4,20	5,25
	15	A230292-50	BRACKET BATTERY		1	42,90	53,63
	16	F020195-43	CLIP NUT	M6×1.0	14	5,40	6,75
	17	F150129-00	CLAMP		1	3,00	3,75
	18	F150130-00	DRAINAGE PLUG		1	7,50	9,38
	19	A050272-41	HEX WASHER FACE BOLT	M6X1.0X18L	2	4,20	5,25
	20	A050024-41	HEX WASHER FACE BOLT	M6×1.0×16L	2	2,10	2,63
	21	A050023-41	HEX WASHER FACE BOLT	M6×1.0x20L	4	3,60	4,50

SEAT

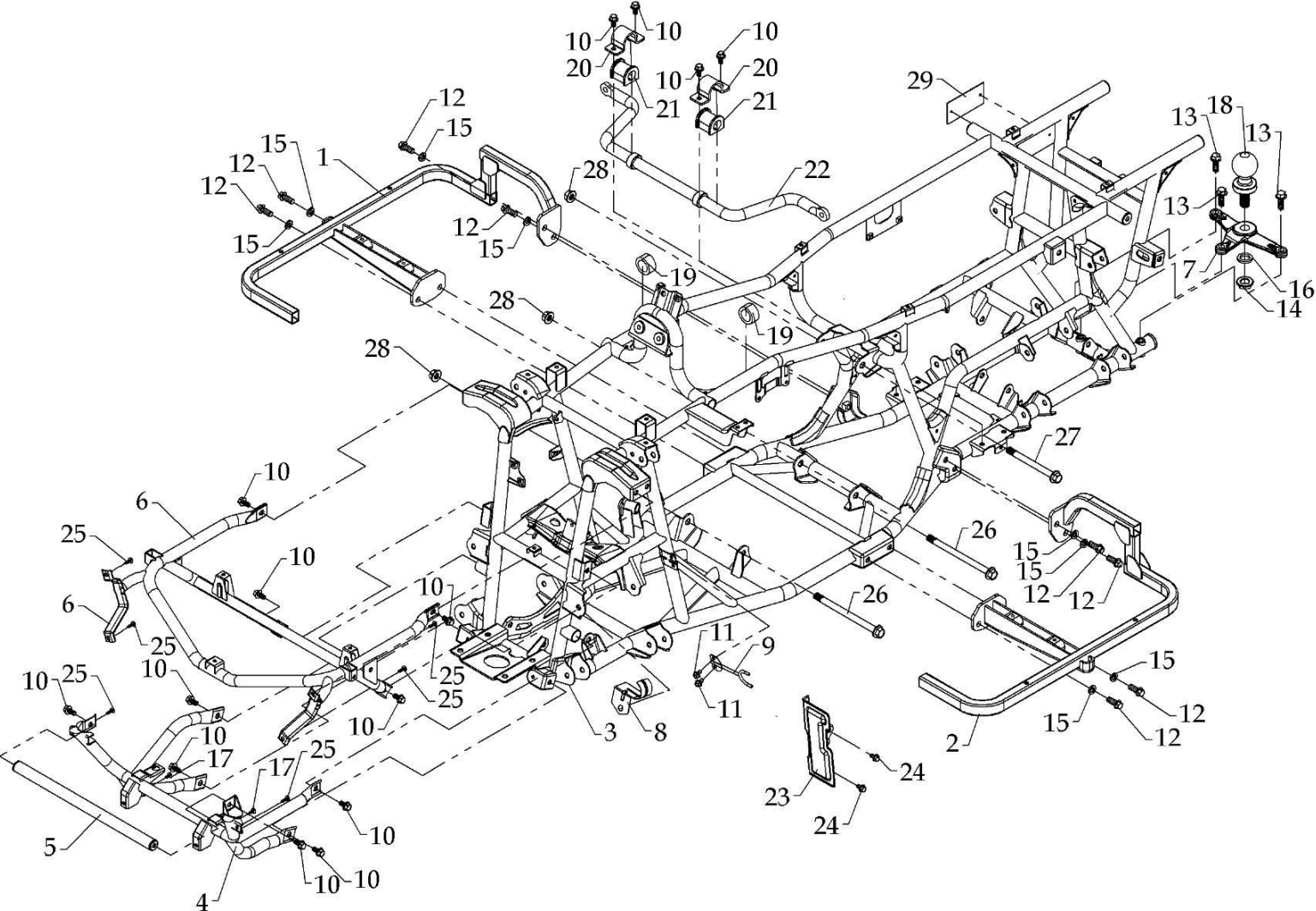


D1035-061A

SEAT

Model	Item	Part no	Description	Specification	Quantity	Excl. moms	Inkl. moms
	01	F210012-00	SEAT		1	1417,50	1771,88
	02	A090049-00	SHOCKPROOF		6	10,50	13,13
	03	A090050-00	PLUG		2	9,00	11,25
	04	F210036-42	BRACKET,SEAT		1	60,00	75,00
	05	A130018-43	TAPPING SCREW	5mm×12L	2	0,90	1,13

FRAME

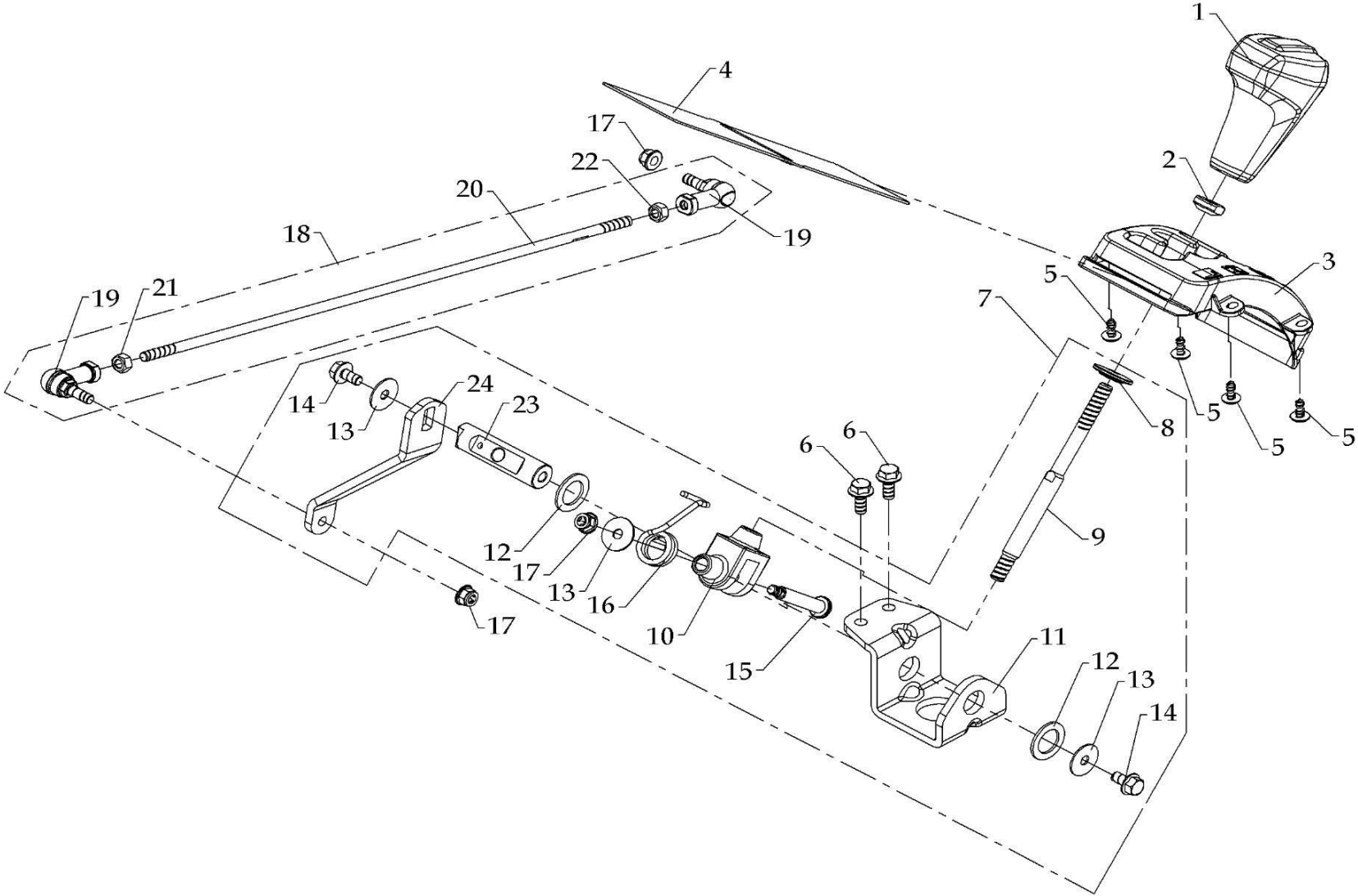


D1035-071A

FRAME

Model	Item	Part no	Description	Specification	Quantity	Excl. moms	Inkl. moms
	01	F210038-48	FOOTREST RH	右	1	643,68	804,60
	02	F210039-48	FOOTREST LH	左	1	643,68	804,60
	03	F210044A48	FRAME		1	5670,00	7087,50
	04	F210057A48	FRAME, FRONT GRILLE		1	491,04	613,80
	05	F210070-57	GRIP,FRONT		1	279,00	348,75
	06	F210072-48	FRAME,HEADLIGHT SHADE		1	648,00	810,00
	07	F210113-48	BASE, TRAILER BALL		1	111,60	139,50
	08	F210143-50	WATER HOSE SUSTENTACULAR		1	43,50	54,38
	09	F210144-50	WATER HOSE SUSTENTACULAR		1	60,00	75,00
	10	A050049-41	HEX WASHER FACE BOLT	M8×1.25×16L	14	2,40	3,00
	11	A050081-43	HEX WASHER FACE BOLT	M6×1.0×10L	2	1,50	1,88
	12	A050201-41	HEX WASHER FACE BOLT	M10×1.25×25L	8	6,00	7,50
	13	A050273-41	HEX WASHER FACE BOLT	M10×1.25×30L-10T	3	17,40	21,75
	14	A060069-41	HEX NUT	M24×1.5	1	8,70	10,88
	15	A080009-41	SPRING WASHER	Ø10.2×3.7×2.5t	8	0,90	1,13
	16	A080122-41	SPRING WASHER	Ø19×Ø29×4t	1	3,00	3,75
	17	A130018-43	TAPPING SCREW	5mm×12L	2	0,90	1,13
	18	A930021-45	TRAILER BALL		1	450,00	562,50
	19	A220055-00	HOSE		2	9,90	12,38
	20	F210079-50	BRACKET		2	45,00	56,25
	21	F210080-00	RUBBER		2	28,50	35,63
	22	F210078-50	RR STABILIZER		1	759,00	948,75
	23	F210155-52	WINDSHIELD		1	210,00	262,50
	24	A050017-43	HEX WASHER FACE BOLT	M6×1.0×12L	2	1,50	1,88
	25	A130005-43	TAPPING SCREW	5mm×16	6	0,90	1,13
	26	A050267-41	HEX WASHER FACE BOLT	M12×P1.25×170L	2	76,50	95,63
	27	A050268-41	HEX WASHER FACE BOLT	M12×P1.25×128L	1	60,90	76,13
	28	A060008-41	INSERT LOCK NUT	M12×1.25	3	11,70	14,63
	29	A990311-00	VIN PLATE	e9*2002/24*0313*00	1		

INDICATOR T/M LEVEL

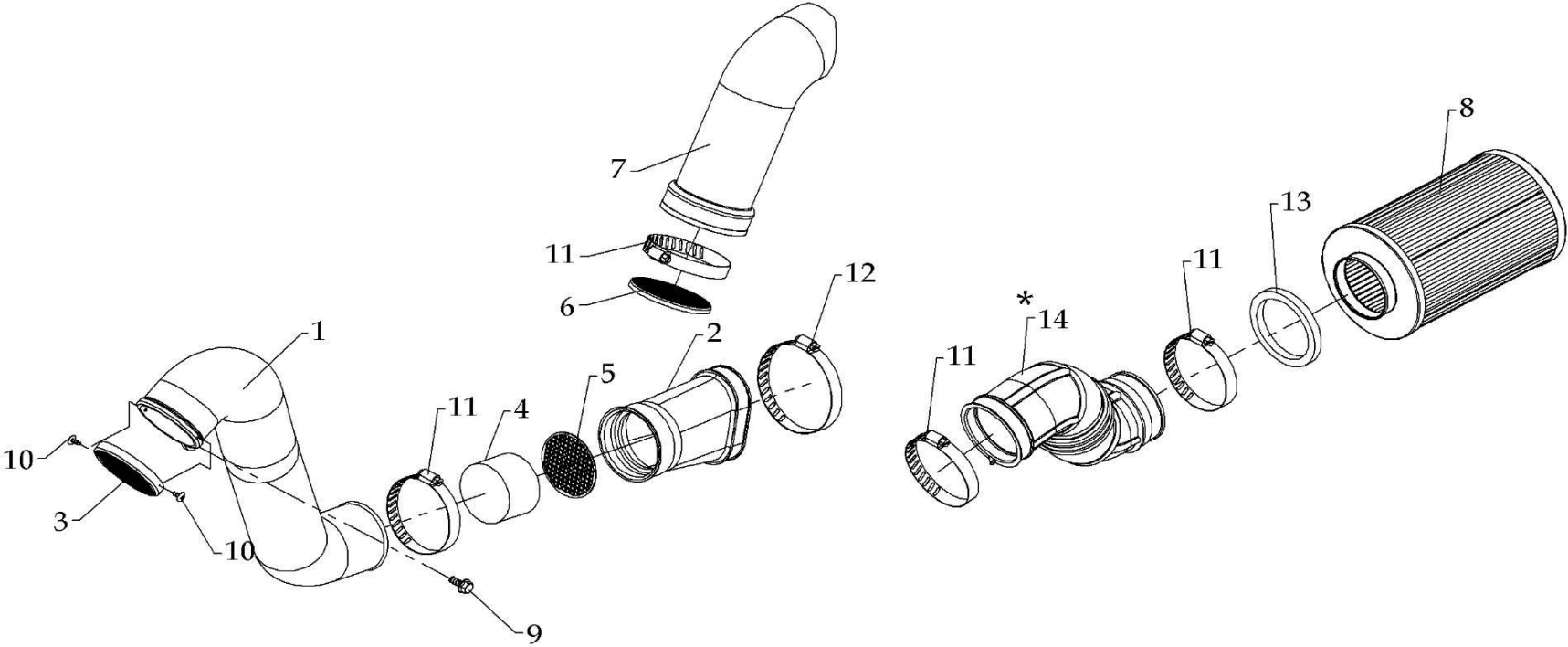


D1035-081A

INDICATOR T/M LEVEL

Model	Item	Part no	Description	Specification	Quantity	Excl. moms	Inkl. moms
	01	F210073-00	KNOB, T/M LEVER		1	450,00	562,50
	02	A060080-45	NUT	M8×1.25	1	24,00	30,00
	03	F210033-00	INDICATOR T/M LEVEL		1	33,00	41,25
	04	F210020-00	COVER T/M LEVEL		1	18,00	22,50
	05	A130018-43	TAPPING SCREW	5mm×12L	4	0,90	1,13
	06	A050024-41	HEX WASHER FACE BOLT	M6×1.0×16L	2	2,10	2,63
	07	F210071A00	INDICATOR T/M LEVEL ASSY		1	606,24	757,80
	08	A090054-00	BUSHING		1	6,60	8,25
	09	F210068A45	SHIFT LEVEL		1	120,00	150,00
	10	F210069-00	INDICATOR T/M LEVEL		1	171,00	213,75
	11	F210066-00	BRACKET , INDICATOR T/M LEVEL		1	96,00	120,00
	12	A080121-00	SPACER	Ø16.2×Ø25×1.5t	2	15,90	19,88
	13	A080105-41	WASHER	Ø6.2×Ø21×1.0t	3	2,40	3,00
	14	A050017-41	HEX WASHER FACE BOLT	M6×1.0×12L	2	1,50	1,88
	15	A050262-00	HEX SOCKET BOLT		1	30,00	37,50
	16	A110060-44	SPRING		1	19,50	24,38
	17	A060053-41	HEX INSERT LOCK NUT	M6×1.0	3	3,90	4,88
	18	F210023-00	ROD,LEVEL ASSY		1	255,00	318,75
	19	F210021-00	TIE ROD END		2	105,00	131,25
	20	F210022-42	ROD,LEVEL		1	42,00	52,50
	21	A060001-41	NUT	M6×1.0	1	0,90	1,13
	22	A060074-41	NUT	M6×1.0-LH	1	1,50	1,88
	23	F210129-00	SHAFT,LEVEL		1	93,00	116,25
	24	F210128-50	LEVEL		1	120,00	150,00

DUCT,CVT

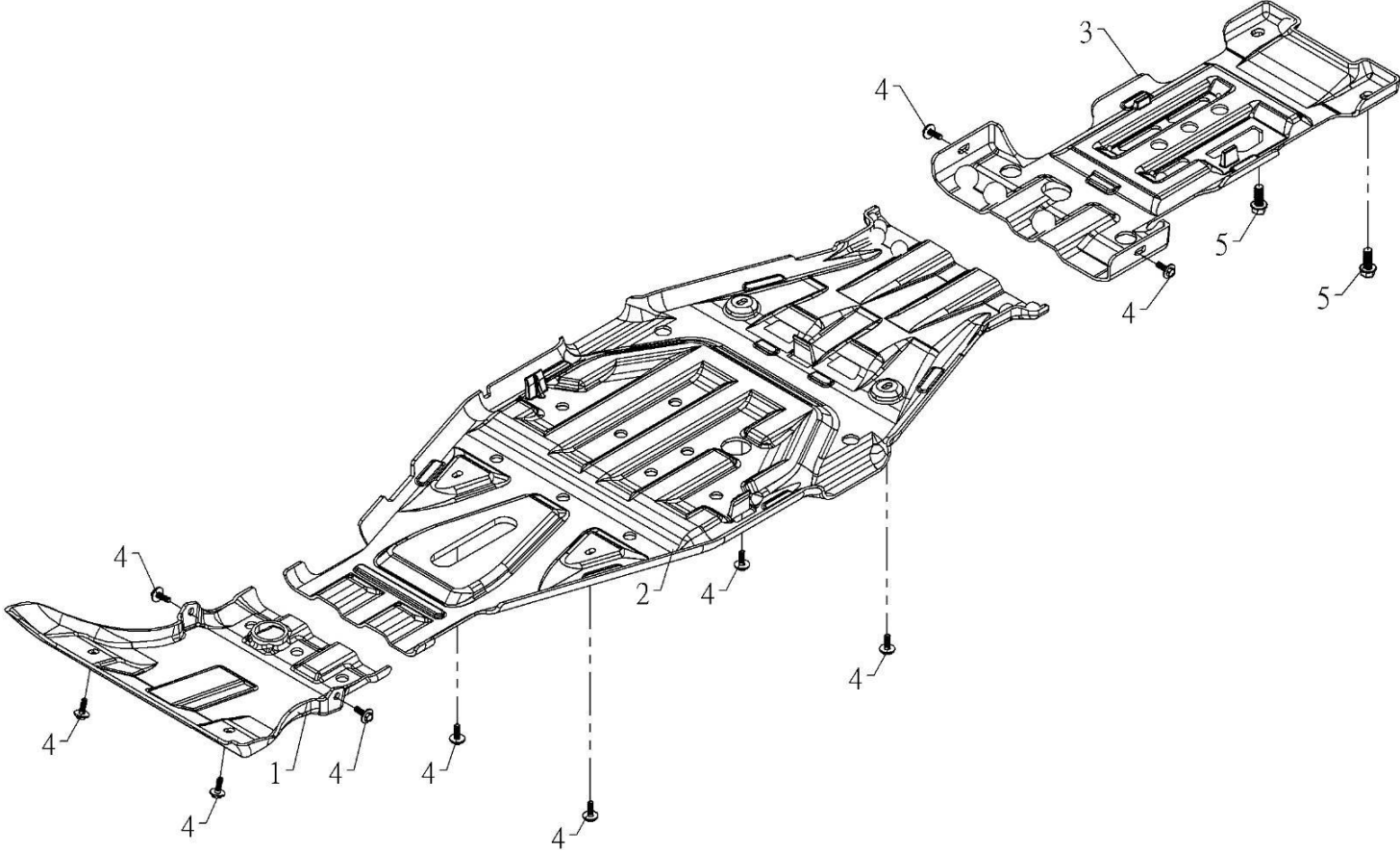


D1035-091A

DUCT,CVT

Model	Item	Part no	Description	Specification	Quantity	Excl. moms	Inkl. moms
	01	F210085-00	DUCT,CVT BREATHER		1	165,00	206,25
	02	F210084-00	CONNECT, BREATHER		1	135,00	168,75
	03	F210083-00	SCREEN		1	189,00	236,25
	04	F210082-00	MIST FILTER		1	24,00	30,00
	05	F210081-00	SCREEN		1	25,20	31,50
	06	F210040-00	SCREEN		1	28,20	35,25
	07	F210037-00	DUCT,CVT OUTLET		1	96,00	120,00
	08	F210154-00	FOAM CORE,AIR CLEANER		1	450,00	562,50
	09	A050024-41	HEX WASHER FACE BOLT	M6×1.0×16L	1	2,10	2,63
	10	A130003-00	TAPPING SCREW	4mm×10L	2	0,60	0,75
	11	A220056-00	ZEBRA HOSE CLAMPS	52-76×12.7	4	14,40	18,00
	12	A220057-00	ZEBRA HOSE CLAMPS	65-89×12.7	1	15,60	19,50
	13	A030051-02	WASHER	Ø64×Ø80×8t,CR	1	42,00	52,50
	14	F210028-00	INTAKE DUCT		1	210,00	262,50
	*	F210030-00	INTAKE DUCT	EFI	1		

PROTECTOR

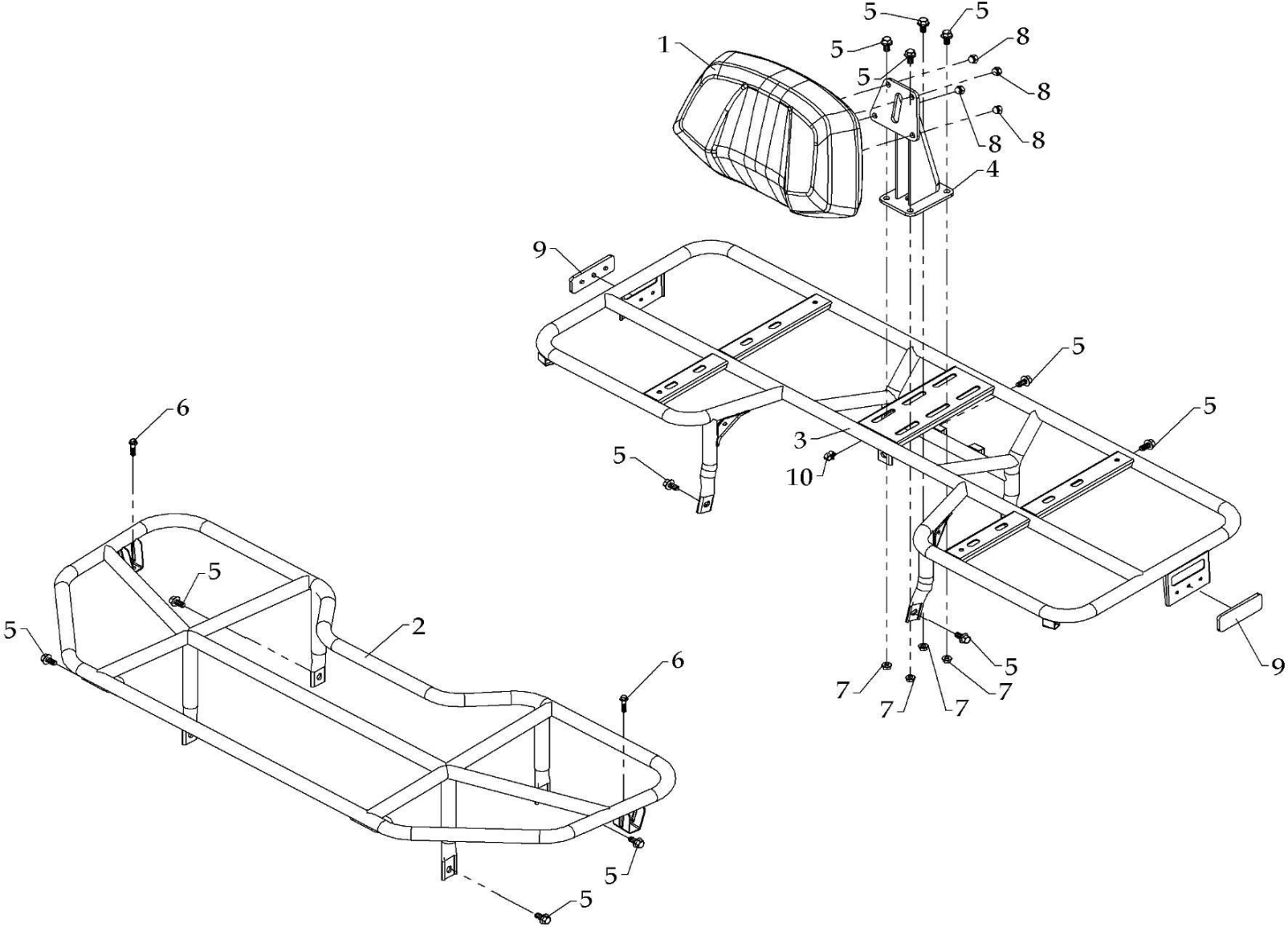


D1035-101A

PROTECTOR

Model	Item	Part no	Description	Specification	Quantity	Excl. moms	Inkl. moms
	01	F210109-00	PROTECTOR,FRONT		1	216,00	270,00
	02	F210119-00	PROTECTOR,ENGING		1	630,00	787,50
	03	F210120-00	PROTECTOR,REAR		1	234,00	292,50
	04	A050063-41	HEX WASHER FACE BOLT	M6x1.0x20L	10	2,70	3,38
	05	A050005-41	HEXAGONAL FLANGE BOLT	M10X1.25X15L	2	4,20	5,25

RACK

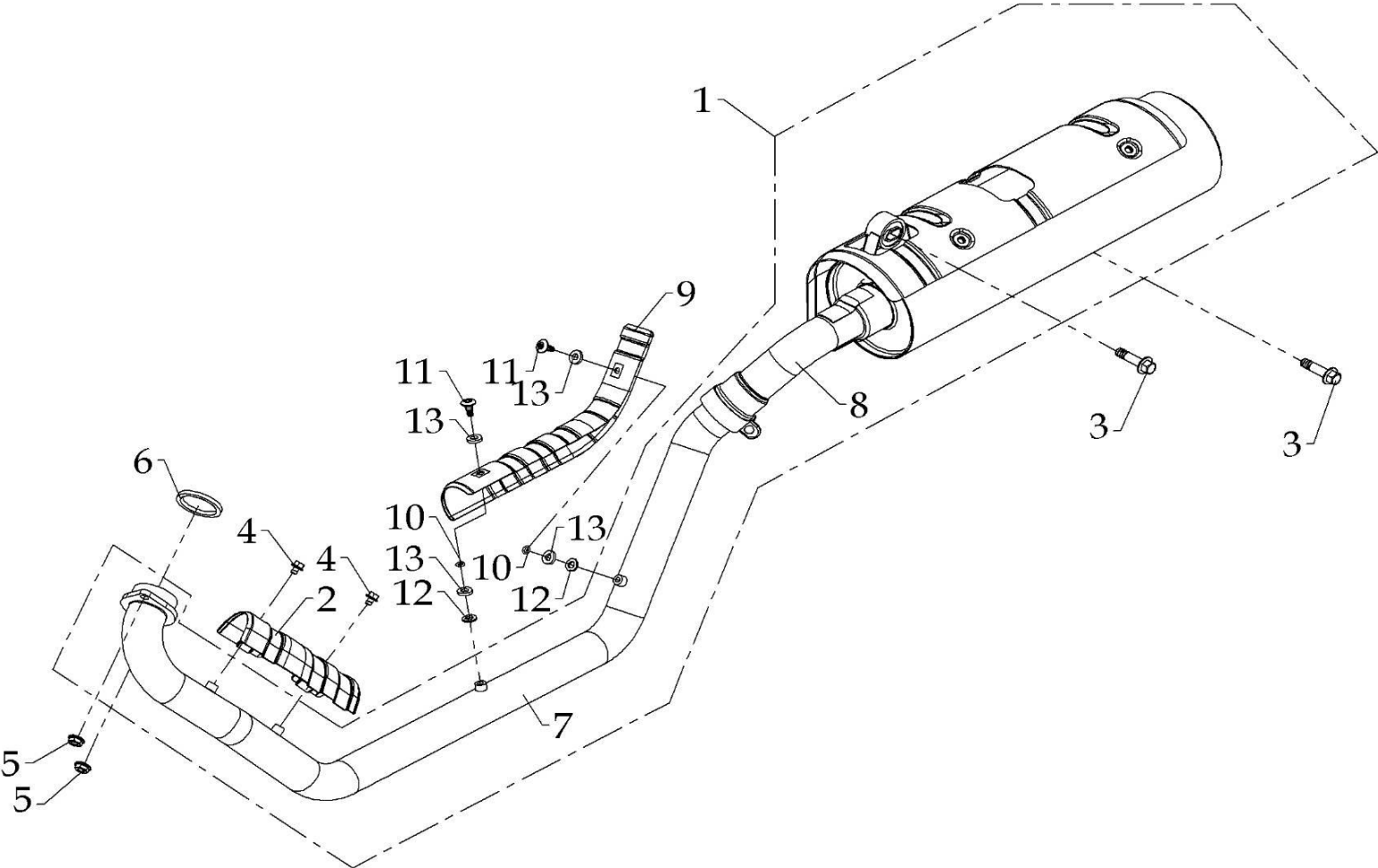


D1035-111A

RACK

Model	Item	Part no	Description	Specification	Quantity	Excl. moms	Inkl. moms
	01	F210041-00	BACKREST		1	855,00	1068,75
	02	F210045A00	RACK, FRONT		1	976,32	1220,40
	03	F210046A00	RACK, REAR		1	1232,64	1540,80
	04	F210053A52	BRACKET, BACKREST		1	441,00	551,25
	05	A050049-41	HEX WASHER FACE BOLT	M8×1.25×16L	12	2,40	3,00
	06	A050170-41	HEX WASHER FACE BOLT	M6×1.0×25L	2	4,20	5,25
	07	A060014-41	INSERT LOCK NUT	M8×1.25	4	3,90	4,88
	08	A060086-00	NUT	M8×1.25	4	2,40	3,00
	09	F020266-00	REFLECTER	YELLOW	2	26,40	33,00
	10	F020578-15	CLIP		1	2,40	3,00

MUFFLER

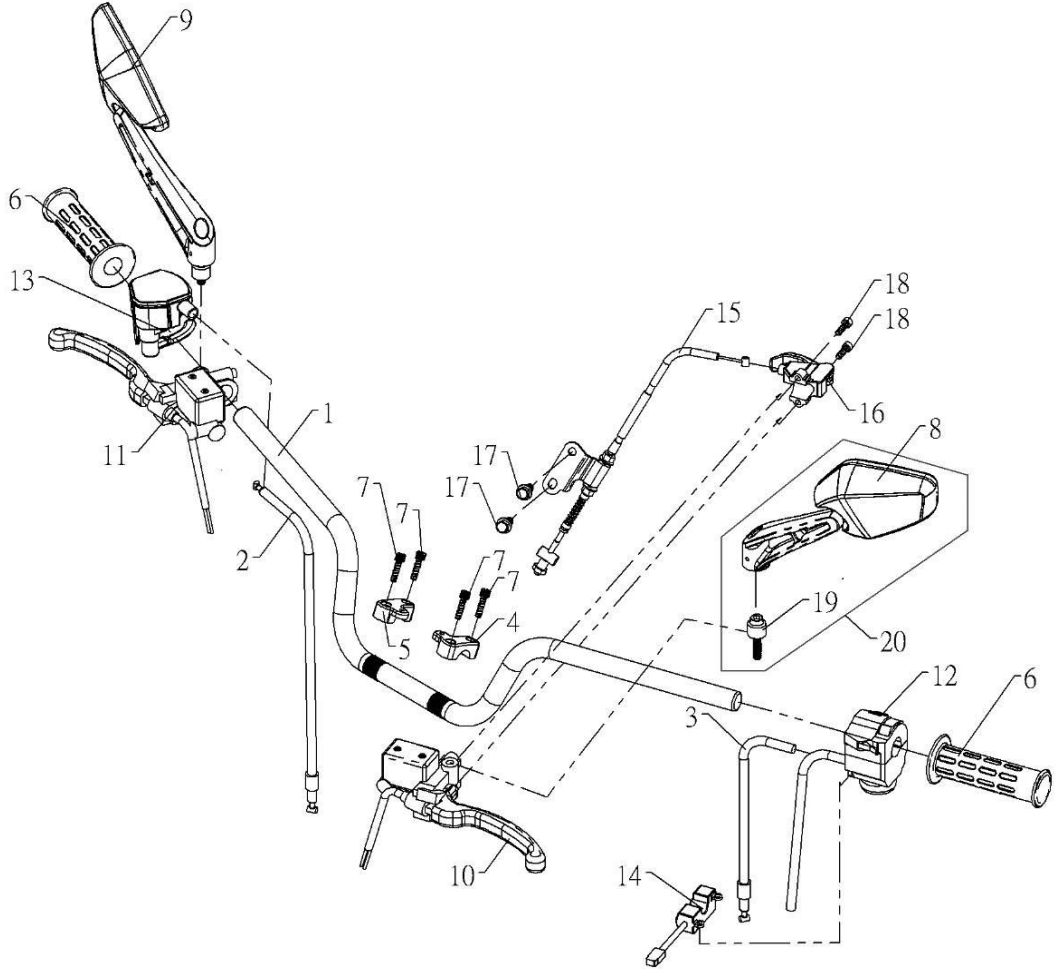


D1035-121A

MUFFLER

Model	Item	Part no	Description	Specification	Quantity	Excl. moms	Inkl. moms
	01	F210050A00	MUFFLER ASSY		1	4608,00	5760,00
	02	F210150-57	GUIDE PLATE, MUFFLER		1	144,00	180,00
	03	A050001-41	HEX WASHER FACE BOLT	M10×P1.25×40L	2	7,80	9,75
	04	A050080-41	HEX WASHER FACE BOLT	M6×1.0×8L	2	1,80	2,25
	05	A060014-41	INSERT LOCK NUT	M8×1.25	2	3,90	4,88
	06	A080127-00	GASKET	Ø41×Ø50×4.8t	1	84,00	105,00
	07	F210159A00	EXHAUST PIPE		1	918,72	1148,40
	08	F210160-00	MUFFLER		1	3213,00	4016,25
	09	F210169-57	GUIDE PLATE, MUFFLER		1	288,00	360,00
	10	A040042-00	O RING	P6-Ø1.9XØ5.8	2	1,50	1,88
	11	A050233-00	MUFFLER COVER, BOLT	M6X1.0X16L	2	24,90	31,13
	12	A080025-41	WASHER	Ø8.2XØ15X2t	2	1,50	1,88
	13	A080108-01	HEAT INSULATE WASHER	Ø7.8xØ16x3t	4	5,40	6,75

HANDLEBAR

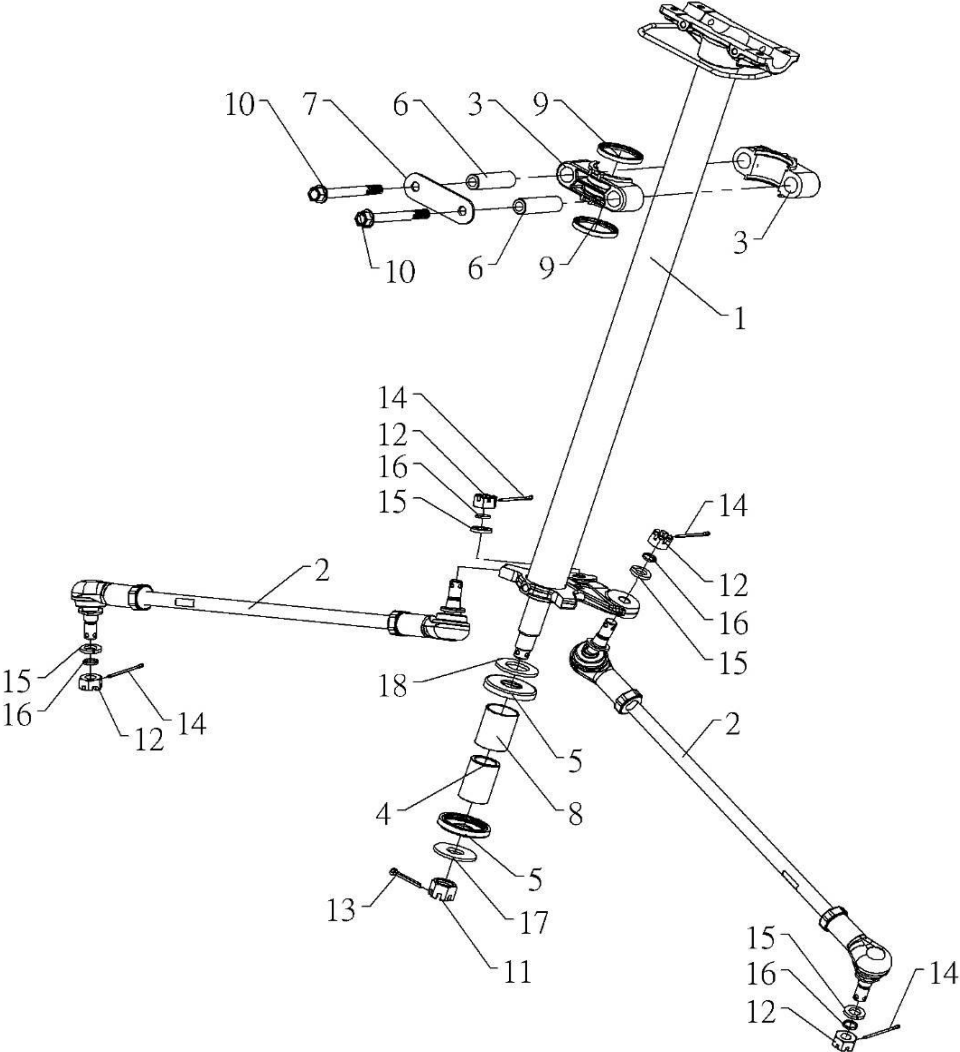


D1035-131A

HANDLEBAR

Model	Item	Part no	Description	Specification	Quantity	Excl. moms	Inkl. moms
	01	F210174-50	HANDLEBAR		1	604,80	756,00
	02	F210060-00	THROTTLE WIRE		1	154,50	193,13
	03	F210061-00	CHOKE CABLE		1	120,00	150,00
	04	F020118-00	UPPER HANDLEBAR CLAMP (L)		1	39,90	49,88
	05	F020117-00	UPPER HANDLEBAR CLAMP (R)		1	39,90	49,88
	06	F020167A00	HANDLE GRIP		2	27,00	33,75
	07	A050029-43	HEX SOCKET BOLT	M6×1.0×25L	4	2,70	3,38
	08	A160016-00	REAR-VIEW MIRROR		1		
	09	A160006-00	REAR-VIEW MIRROR		1	265,20	331,50
	10	A190139-00	LEFT LEVER ASSY		1	615,00	768,75
	11	A190089-00	RIGHT LEVER ASSY	Ø14	1	432,00	540,00
	12	A190056-00	LIFT LEVER ASSY		1	630,00	787,50
	13	A190124-00	RIGHT SWITCH		1	669,60	837,00
	14	A190135-00	LOCK TOUCH SWITCH ASSY.		1	165,00	206,25
	15	F210181-00	PARKING CABLE ASSY'		1	246,00	307,50
	16	A190138-00	PARKING LEVER		1	375,00	468,75
	17	A050049-41	HEXAGONAL FLANGE BOLT	M8X1.25X16L	2	2,40	3,00
	18	A050053-41	HEX SOCKET BOLT	M6x1.0x20L	2	2,40	3,00
	19	F210186-00	REAR-VIEW MIRROR PARTS		1		
	20	A160018-00	REAR-VIEW MIRROR ASSY		1		

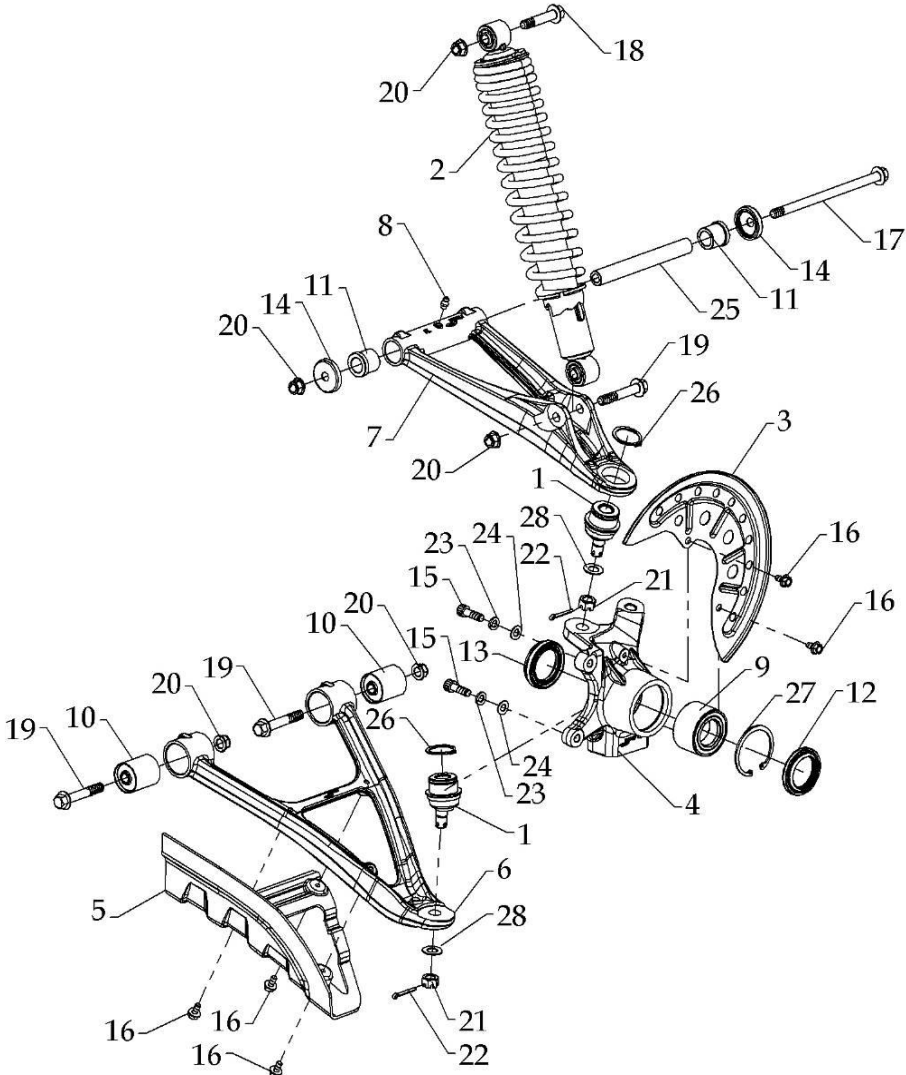
STEERING



STEERING

Model	Item	Part no	Description	Specification	Quantity	Excl. moms	Inkl. moms
	01	F210065-48	SHAFT,STEERING		1	801,00	1001,25
	02	F210075-00	STEERING TIE-ROD ASSY.		2	447,00	558,75
	03	F140019-00	STEERING SHAFT BRACKET		2	37,20	46,50
	04	F140033-00	PIN	Ø25×Ø18×37.5L	1	31,50	39,38
	05	F140142-00	SEAL COVER	Ø18.1×Ø35×Ø44×6.2t	2	17,70	22,13
	06	F140145-42	SPACER		2	14,70	18,38
	07	F140082-41	PLATE		1	9,30	11,63
	08	A020007-00	BUSH BEARING	Ø28×Ø25×35L	1	22,50	28,13
	09	A030034-00	OIL SEAL		2	5,70	7,13
	10	A050199-41	HEXAGONAL FLANGE BOLT	M8×1.25×75L	2	7,20	9,00
	11	A060026B42	CASTLE NUT	M14×1.5-II	1	8,40	10,50
	12	A060083-42	CASTLE NUT	M10×1.25×10t	4	3,00	3,75
	13	A070002-41	COTTER PIN	Ø3.2×32L	1	0,90	1,13
	14	A070011-41	COTTER PIN	Ø4×15.8L	4	0,90	1,13
	15	A080009-41	SPRING WASHER	Ø10.2×3.7×2.5t	4	0,90	1,13
	16	A080033-41	WASHER	Ø10.4×Ø22×1.6	4	3,00	3,75
	17	A080087-41	WASHER	Ø14.5×Ø36×2.5t	1	7,50	9,38
	18	A080088-41	WASHER	Ø205×Ø36×2.5t	1	7,50	9,38

FRONT SUSPENSION (L)

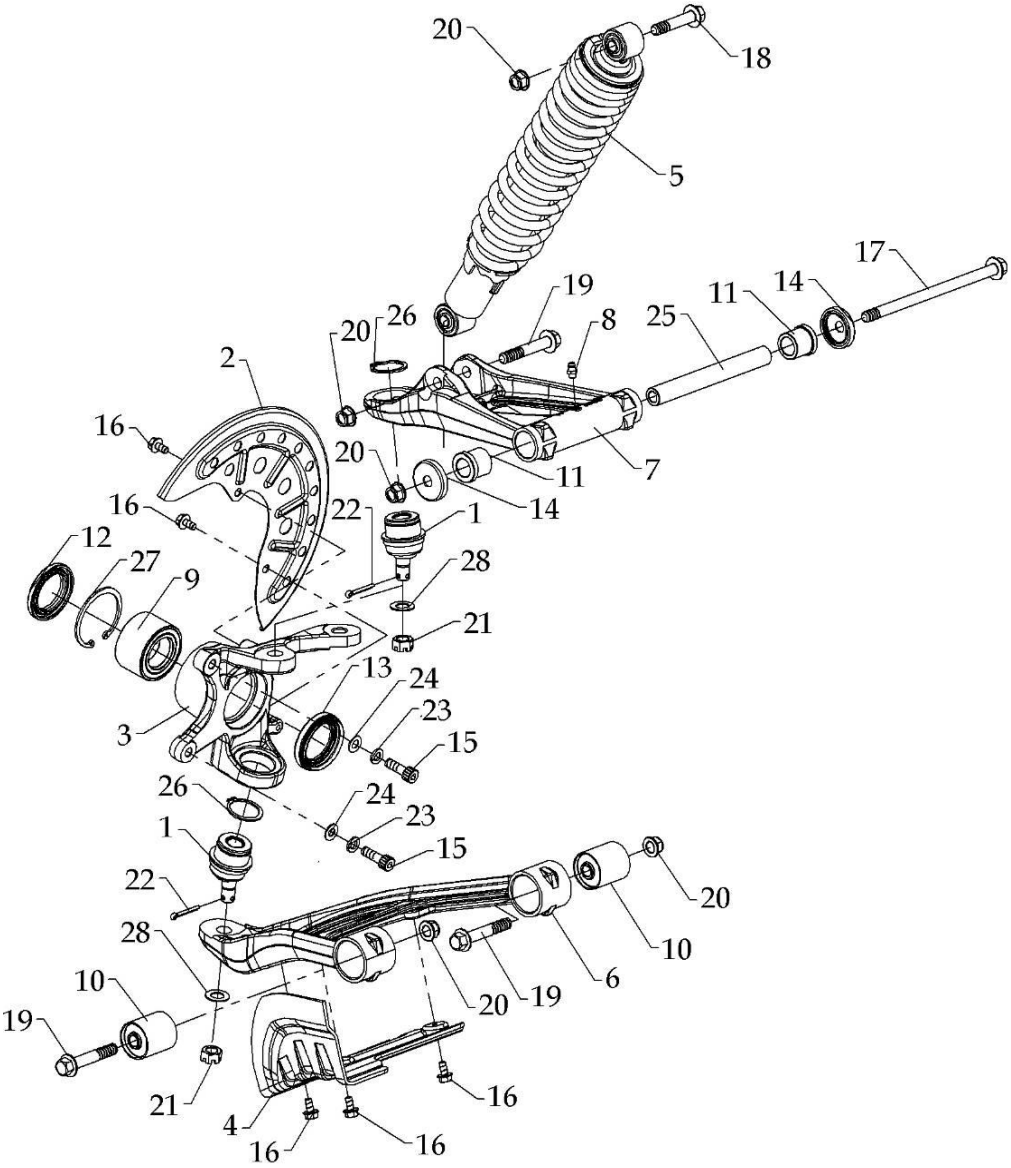


D1035-151A

FRONT SUSPENSION (L)

Model	Item	Part no	Description	Specification	Quantity	Excl. moms	Inkl. moms
	01	F210074-00	BALL JOINT	M12×1.25	2	216,00	270,00
	02	F210123-01	ABSORBER, FRONT SHOCK		1	1173,60	1467,00
	03	F210095-50	L.COVER, BRAKE DISK		1	78,00	97,50
	04	F210099-00	STEERING KNUCKLE (L)		1	707,40	884,25
	05	F210115-00	PROTECTOR,DRIVER SHAFT L.H		1	46,50	58,13
	06	F210227-00	LOWER-LEFT A-ARM		1	1240,20	1550,25
	07	F210229-00	UPPER-LEFT A-ARM		1	754,74	943,43
	08	F020140-00	GREASE VALVE		1	8,10	10,13
	09	A010080-04	DOUBLE ROW ANGULAR CONTACT	Ø30×Ø55×32t	1	420,00	525,00
	10	A020016-00	BUSH,ENG MTG	D35×38L-d10.2×40L	2	64,50	80,63
	11	A020017-00	BUSH	Ø17×Ø25×23L	2	16,50	20,63
	12	A030054-00	OIL SEAL	TC9Y 38 55 8/12	1	26,40	33,00
	13	A030056-00	OIL SEAL	TC9Y 38 55 8/8.5	1	37,50	46,88
	14	A030058-00	CAP		2	18,00	22,50
	15	A050008-41	HEX SOCKET BOLT	M8×1.25×25	2	4,20	5,25
	16	A050017-41	HEX WASHER FACE BOLT	M6×1.0×12L	5	1,50	1,88
	17	A050174-41	HEX WASHER FACE BOLT	M10×1.25×170L	1	3,00	3,75
	18	A050213-41	HEX WASHER FACE BOLT	M10×1.25×50L-8T	1	10,20	12,75
	19	A050230-41	HEX WASHER FACE BOLT	M10×1.25×60L-10T	3	14,70	18,38
	20	A060007-41	HEX INSERT LOCK NUT	M10×1.25	5	6,00	7,50
	21	A060082-42	CASTLE NUT	M12×1.25×10t	2	60,00	75,00
	22	A070011-41	COTTER PIN	Ø2.8×32L	2	0,90	1,13
	23	A080012-41	SPRING WASHER	Ø8.2×3.2×2t	2	0,60	0,75
	24	A080095-41	SPACER	Ø8.2×Ø16×1t	2	0,90	1,13
	25	A090057-00	SPACER	Ø17×Ø10×147.4L	1	84,30	105,38
	26	A100021-43	CIRCLIP,C TYPE	Ø30×1.5t	2	9,00	11,25
	27	A100039-00	C TYPE	Ø55	1	14,40	18,00
	28	A080031-41	SPACER	Ø22×Ø12.2×2t	2	2,10	2,63

FRONT SUSPENSION (R)

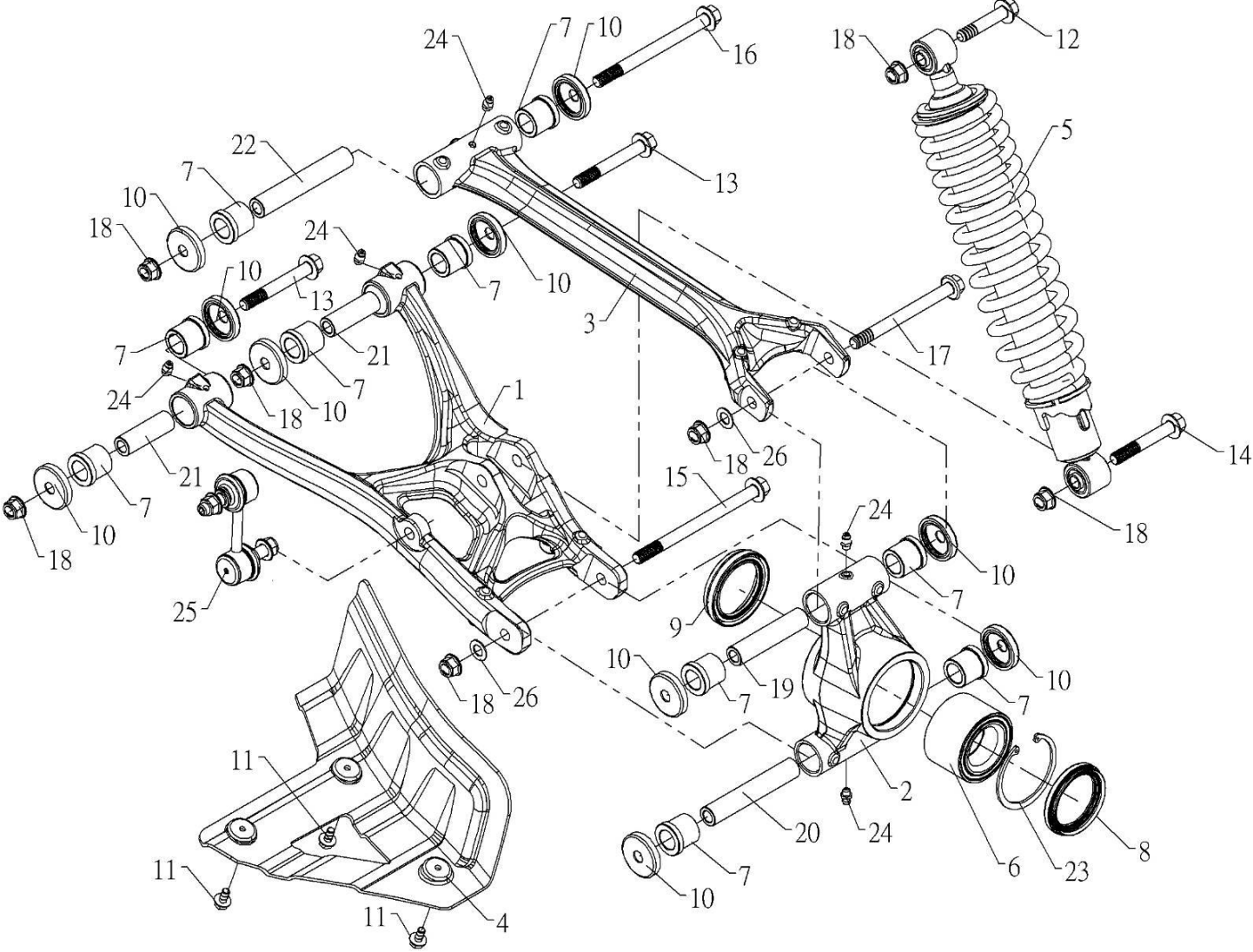


D1035-161A

FRONT SUSPENSION (R)

Model	Item	Part no	Description	Specification	Quantity	Excl. moms	Inkl. moms
	01	F210074-00	BALL JOINT	M12×1.25	2	216,00	270,00
	02	F210094-50	R.COVER, BRAKE DISK		1	78,00	97,50
	03	F210098-00	STEERING KNUCKLE (R)		1	707,40	884,25
	04	F210116-00	PROTECTOR,DRIVER SHAFT R.H		1	46,50	58,13
	05	F210123-01	ABSORBER, FRONT SHOCK		1	1173,60	1467,00
	06	F210226-00	LOWER-RIGHT A-ARM		1	1240,20	1550,25
	07	F210228-00	UPPER-RIGHT A-ARM		1	754,74	943,43
	08	F020140-00	GREASE VALVE		1	8,10	10,13
	09	A010080-04	DOUBLE ROW ANGULAR CONTACT	Ø30×Ø55×32t	1	420,00	525,00
	10	A020016-00	BUSH,ENG MTG	D35×38L-d10.2×40L	2	64,50	80,63
	11	A020017-00	BUSH	Ø17×Ø25×23L	2	16,50	20,63
	12	A030054-00	OIL SEAL	TC9Y 38 55 8/12	1	26,40	33,00
	13	A030056-00	OIL SEAL	TC9Y 38 55 8/8.5	1	37,50	46,88
	14	A030058-00	CAP		2	18,00	22,50
	15	A050008-41	HEX SOCKET BOLT	M8×1.25×25	2	4,20	5,25
	16	A050017-41	HEX WASHER FACE BOLT	M6×1.0×12L	5	1,50	1,88
	17	A050174-41	HEX WASHER FACE BOLT	M10×1.25×170L	1	3,00	3,75
	18	A050213-41	HEX WASHER FACE BOLT	M10×1.25×50L-8T	1	10,20	12,75
	19	A050230-41	HEX WASHER FACE BOLT	M10×1.25×60L-10T	3	14,70	18,38
	20	A060007-41	HEX INSERT LOCK NUT	M10×1.25	5	6,00	7,50
	21	A060082-42	CASTLE NUT	M12×1.25×10t	2	60,00	75,00
	22	A070011-41	COTTER PIN	Ø2.8×32L	2	0,90	1,13
	23	A080012-41	SPRING WASHER	Ø8.2×3.2×2t	2	0,60	0,75
	24	A080095-41	SPACER	Ø8.2×Ø16×1t	2	0,90	1,13
	25	A090057-00	SPACER	Ø17×Ø10×147.4L	1	84,30	105,38
	26	A100021-43	CIRCLIP,C TYPE	Ø30×1.5t	2	9,00	11,25
	27	A100039-00	C TYPE	Ø55	1	14,40	18,00
	28	A080031-41	SPACER	Ø22×Ø12.2×2t	2	2,10	2,63

REAR SUSPENSION (L)

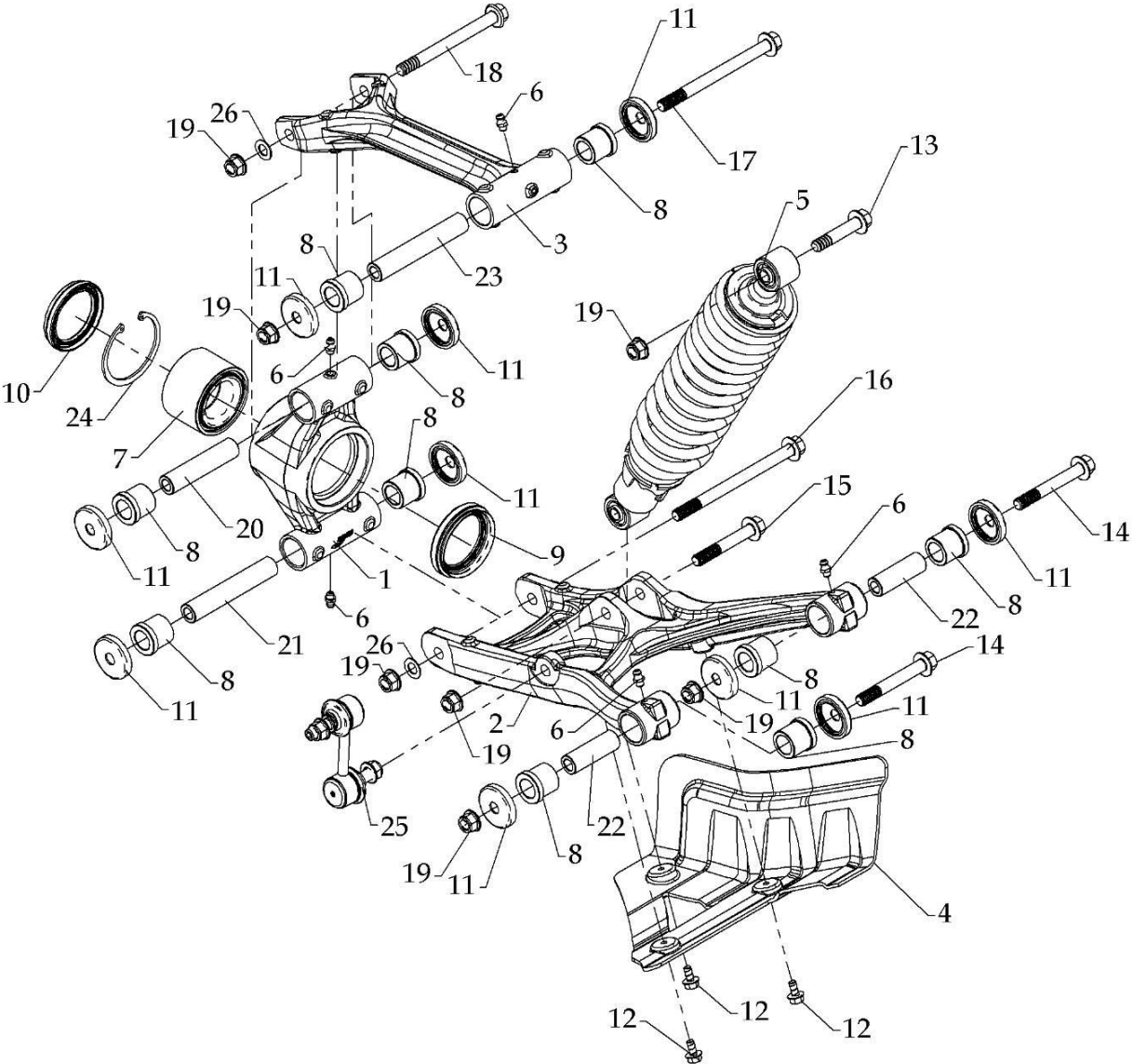


D1035-171A

REAR SUSPENSION (L)

Model	Item	Part no	Description	Specification	Quantity	Excl. moms	Inkl. moms
	01	F210091-00	LOWER-LEFT ARM		1	1422,00	1777,50
	02	F210097-00	KNUCKLE,REAR		1	647,10	808,88
	03	F210168-00	UPPER ARM (L)		1	392,04	490,05
	04	F210117-00	PROTECTOR,RR DRIVE SHAFT L.		1	49,50	61,88
	05	F210122-01	ABSORBER,REAR SHOCK		1	1173,60	1467,00
	06	A010079-04	DOUBLE ROW ANGULAR CONTACT	Ø35×Ø62×40t	1	612,00	765,00
	07	A020017-00	BUSH	Ø17×Ø25×23L	10	16,50	20,63
	08	A030055-00	OIL SEAL	TC9Y 48 65 8/13	1	42,00	52,50
	09	A030057-00	OIL SEAL	TC9Y 47 60 6/10.5	1	39,00	48,75
	10	A030058-00	CAP		10	18,00	22,50
	11	A050017-41	HEX WASHER FACE BOLT	M6×1.0×12L	3	1,50	1,88
	12	A050213-41	HEX WASHER FACE BOLT	M10×1.25×50L-8T	1	10,20	12,75
	13	A050263-41	HEX WASHER FACE BOLT	M10×P1.25×74L	2	29,10	36,38
	14	A050264-41	HEX WASHER FACE BOLT	M10×P1.25×65L	1	27,60	34,50
	15	A050236-41	HEX WASHER FACE BOLT	M10×P1.25×135L	1	27,00	33,75
	16	A050277-41	HEX WASHER FACE BOLT	M10×P1.25×125L	1	24,90	31,13
	17	A050270-41	HEX WASHER FACE BOLT	M10×1.25×110L	1	20,40	25,50
	18	A060007-41	INSERT LOCK NUT	M10×1.25	7	6,00	7,50
	19	A090055-00	SPACER	Ø17×Ø10×77.4L	1	45,30	56,63
	20	A090056-00	SPACER	Ø17×Ø10×97.4L	1	58,80	73,50
	21	A090058-00	SPACER	Ø17×Ø10×52.4L	2	30,00	37,50
	22	A090059-00	SPACER	Ø17×Ø10×102.4L	1	62,10	77,63
	23	A100030-00	C TYPE	Ø62	1	19,50	24,38
	24	F020140-00	GREASE VALVE		5	8,10	10,13
	25	F210108-00	JOINT RR STABILIZER		1	360,00	450,00
	26	A080114-00	SPACER	Ø10.2×Ø18×1.0t	2	2,40	3,00

REAR SUSPENSION (L)

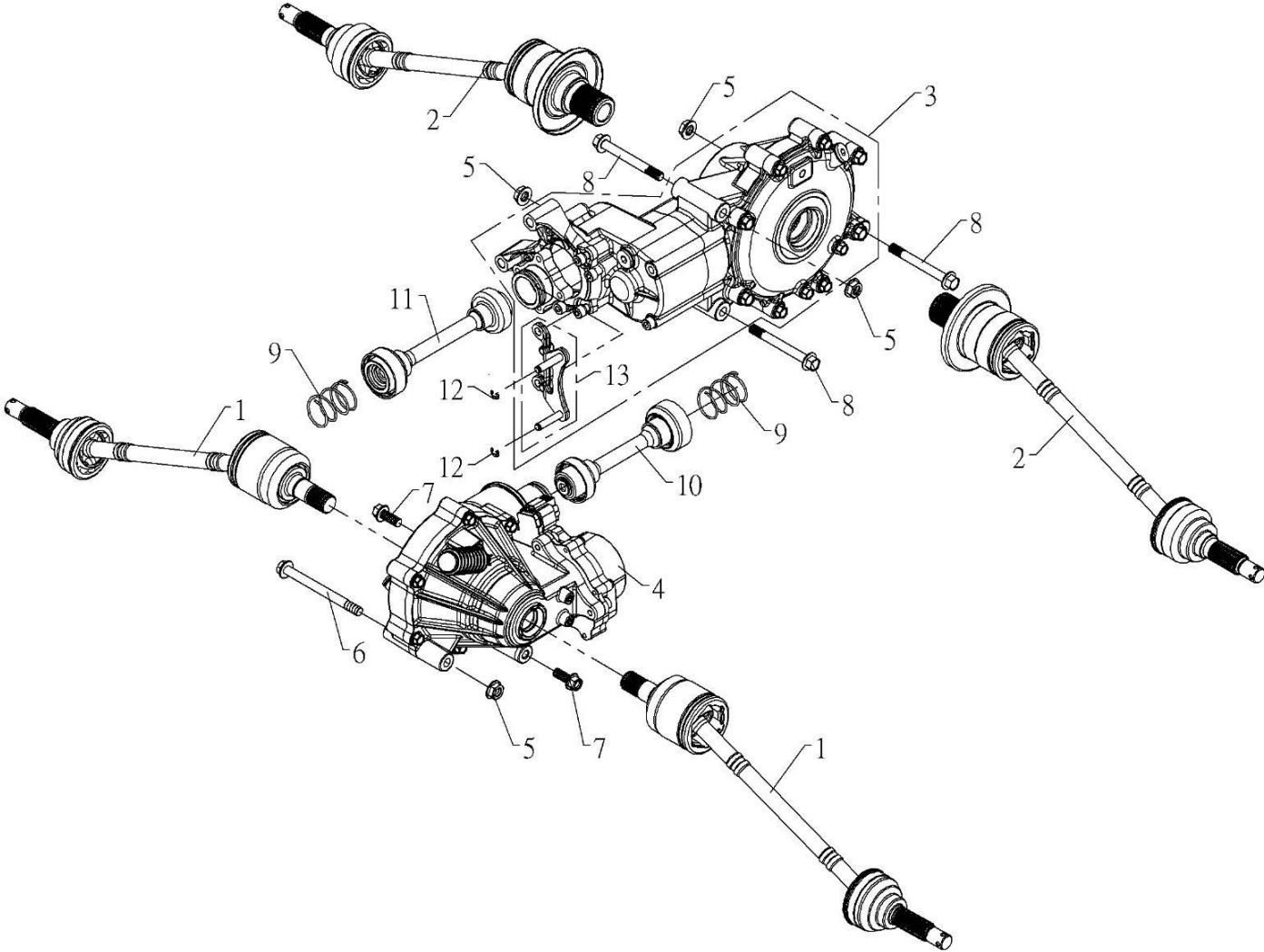


D1035-181A

REAR SUSPENSION (L)

Model	Item	Part no	Description	Specification	Quantity	Excl. moms	Inkl. moms
	01	F210097-00	KNUCKLE,REAR		1	647,10	808,88
	02	F210090-00	LOWER-RIGHT ARM		1	1422,00	1777,50
	03	F210100A00	UPPER ARM (R)		1	500,04	625,05
	04	F210118-00	PROTECTOR,RR DRIVE SHAFT R.H		1	49,50	61,88
	05	F210122-01	ABSORBER,REAR SHOCK		1	1173,60	1467,00
	06	F020140-00	GREASE VALVE		5	8,10	10,13
	07	A010079-04	DOUBLE ROW ANGULAR CONTACT	Ø35×Ø62×40t	1	612,00	765,00
	08	A020017-00	BUSH	Ø17×Ø25×23L	10	16,50	20,63
	09	A030055-00	OIL SEAL	TC9Y 48 65 8/13	1	42,00	52,50
	10	A030057-00	OIL SEAL	TC9Y 47 60 6/10.5	1	39,00	48,75
	11	A030058-00	CAP		10	18,00	22,50
	12	A050017-41	HEX WASHER FACE BOLT	M6×1.0×12L	3	1,50	1,88
	13	A050213-41	HEX WASHER FACE BOLT	M10×1.25×50L-8T	1	10,20	12,75
	14	A050263-41	HEX WASHER FACE BOLT	M10×P1.25×74L	2	29,10	36,38
	15	A050264-41	HEX WASHER FACE BOLT	M10×P1.25×65L	1	27,60	34,50
	16	A050236-41	HEX WASHER FACE BOLT	M10×P1.25×135L	1	27,00	33,75
	17	A050277-41	HEX WASHER FACE BOLT	M10×P1.25×125L	1	24,90	31,13
	18	A050270-41	HEX WASHER FACE BOLT	M10×1.25×110L	1	20,40	25,50
	19	A060007-41	HEX INSERT LOCK NUT	M10×1.25	7	6,00	7,50
	20	A090055-00	SPACER	Ø17×Ø10×77.4L	1	45,30	56,63
	21	A090056-00	SPACER	Ø17×Ø10×97.4L	1	58,80	73,50
	22	A090058-00	SPACER	Ø17×Ø10×52.4L	2	30,00	37,50
	23	A090059-00	SPACER	Ø17×Ø10×102.4L	1	62,10	77,63
	24	A100030-00	C TYPE	Ø62	1	19,50	24,38
	25	F210108-00	JOINT RR STABILIZER		1	360,00	450,00
	26	A080114-00	SPACER	Ø10.2×Ø18×1.0t	2	2,40	3,00

SHAFT, REAR PROPELLER

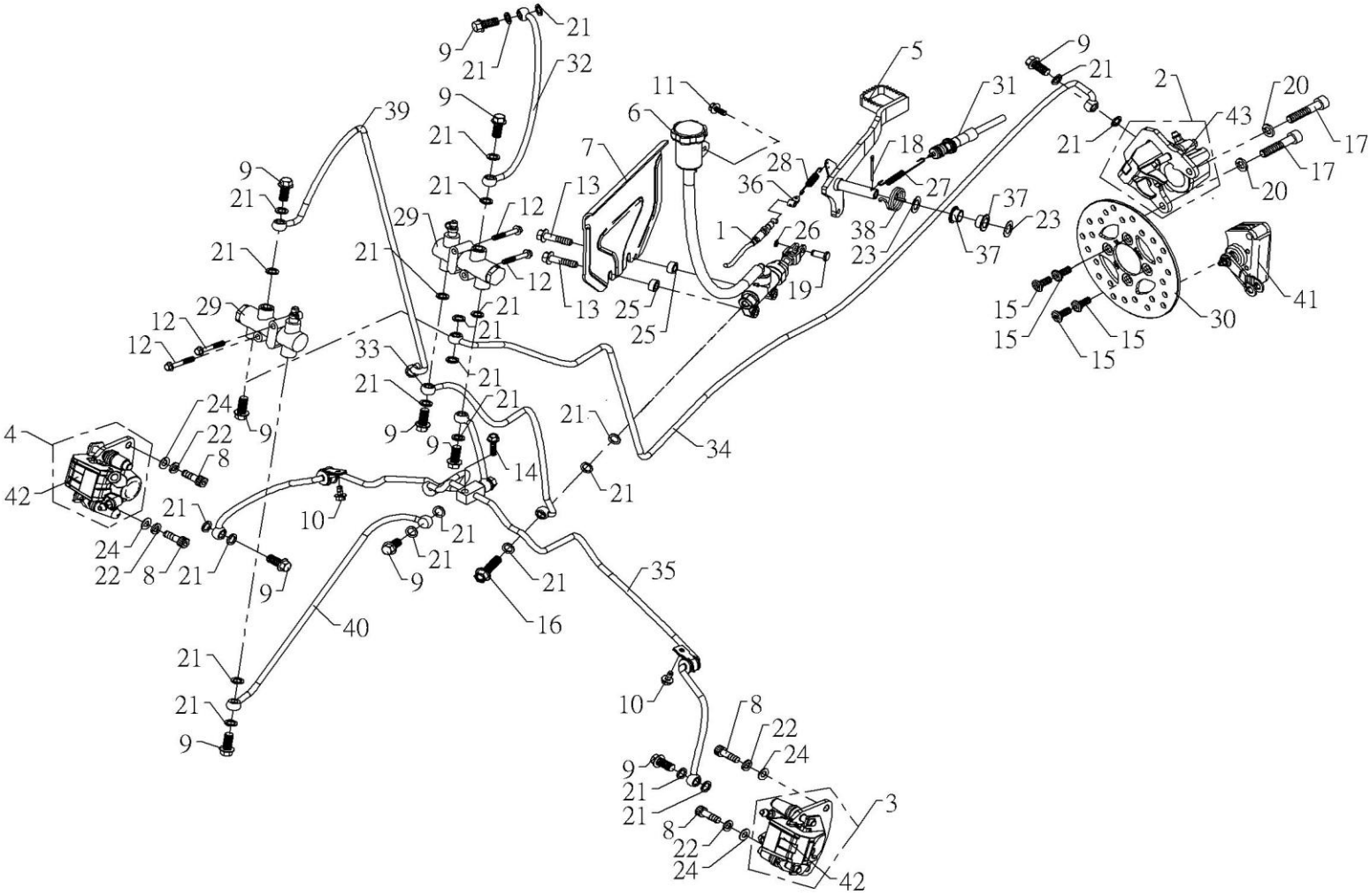


D1035-191A

SHAFT,REAR PROPELLER

Model	Item	Part no	Description	Specification	Quantity	Excl. moms	Inkl. moms
	01	F210088-00	SHAFT,FRONT PROPELLER		2	2700,00	3375,00
	02	F210089-00	SHAFT,REAR PROPELLER		2	2730,00	3412,50
	03	F210130-00	GEAR BOX ASSY,REAR DRIVER		1	5040,00	6300,00
	04	F210131-00	D/F GEAR BOX ASSY		1	12240,00	15300,00
	05	A060007-41	INSERT LOCK NUT	M10×1.25	4	6,00	7,50
	06	A050068A41	HEXAGONAL FLANGE BOLT	M10×1.25×115L	1	16,80	21,00
	07	A050201-41	HEXAGONAL FLANGE BOLT	M10×1.25×25L	2	6,00	7,50
	08	A050237-41	HEXAGONAL FLANGE BOLT	M10×1.25×90	3	18,60	23,25
	09	A110061-00	SPRING COMPRESSION	Ø36×52L	2	13,80	17,25
	10	F210157-00	SHAFT PROPELLER B		1	450,00	562,50
	11	F210158-00	SHAFT PROPELLER A		1	450,00	562,50
	12	A100014-00	CIRCLIP,E TYPE	Ø6	2		0,00
	13	F210185-00	BRACKET ASSY.		1	486,00	607,50

BRAKE SYSTEM

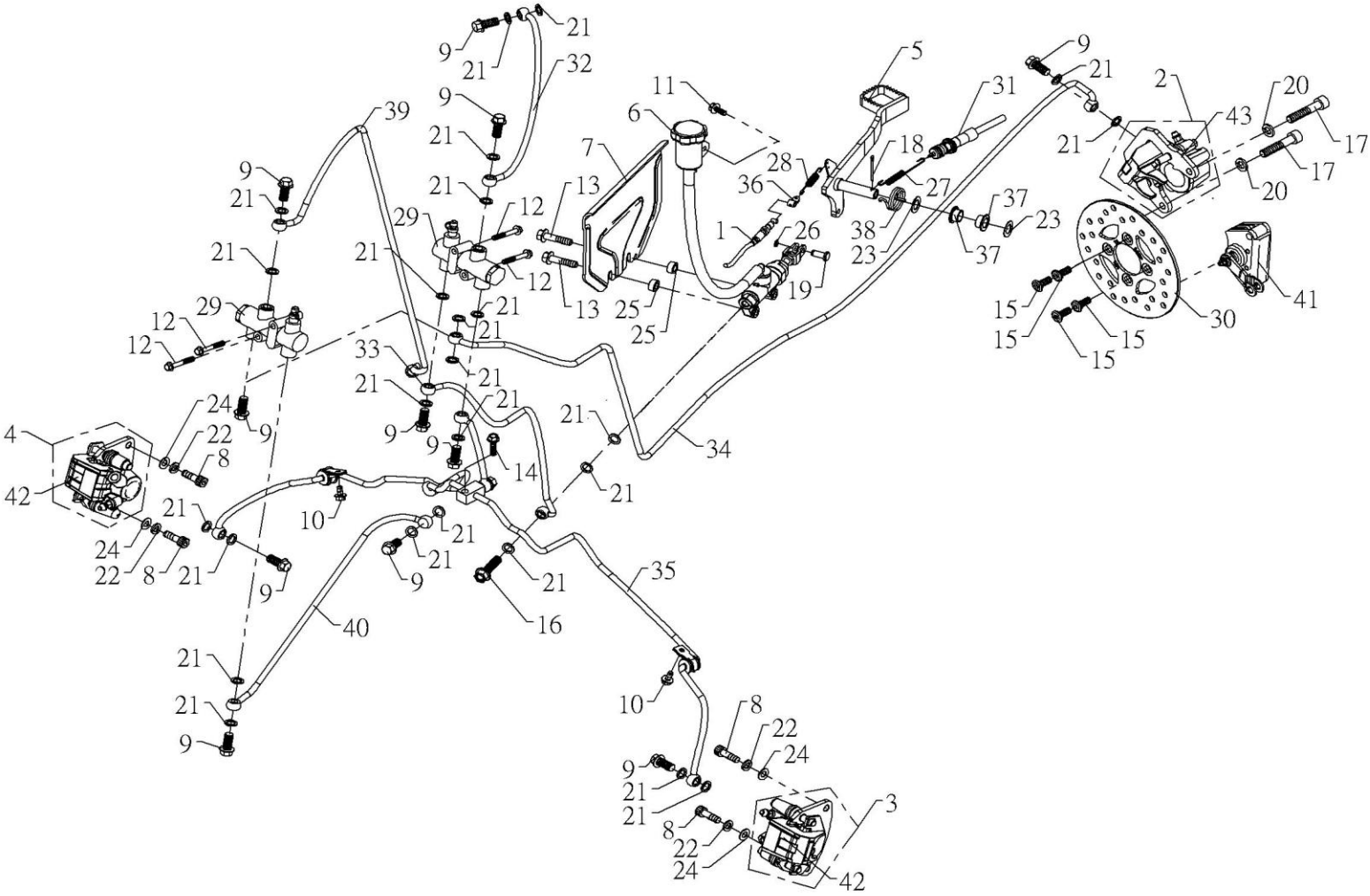


D1035-201A

BRAKE SYSTEM

Model	Item	Part no	Description	Specification	Quantity	Excl. moms	Inkl. moms
	01	F210062-00	REVERSE SWITCH CABLE		1	148,50	185,63
	02	F210103-00	REAR BRAKE ASSY.		1	544,32	680,40
	03	F210105-00	FRONT BRAKE ASSY(L).		1	612,00	765,00
	04	F210106-00	FRONT BRAKE ASSY(R).		1	612,00	765,00
	05	F210111-48	PEDAL,BRAKE		1	450,00	562,50
	06	F210141A00	CYLINDER ASS'Y MASTER		1	408,60	510,75
	07	F210142-52	PROTECTOR		1	225,00	281,25
	08	A050008-41	HEX SOCKET BOLT	M8×1.25×25	4	4,20	5,25
	09	A050009-44	HEXAGONAL FLANGE BOLT	M10×1.25×22L	11	8,70	10,88
	10	A050017-41	HEXAGONAL FLANGE BOLT	M6×1.0×12L	2	1,50	1,88
	11	A050024-41	HEXAGONAL FLANGE BOLT	M6×1.0×16L	1	2,10	2,63
	12	A050069-41	HEXAGONAL FLANGE BOLT	M6×1.0×40L	4	3,60	4,50
	13	A050179-41	HEXAGONAL FLANGE BOLT	M8×1.25×35L	2	5,10	6,38
	14	A050077-43	HEXAGONAL FLANGE BOLT	M6×1.0×25L	1	1,80	2,25
	15	A050183-41	BOLT	M8×1.25×17L	4	11,40	14,25
	16	A050196-44	HEXAGONAL FLANGE BOLT	M10×1.25×39L	1	16,50	20,63
	17	A050276-00	HEX SOCKET BOLT	M10×1.5×50L	2	10,20	12,75
	18	A070011-41	COTTER PIN	Ø2.8×32L	1	0,90	1,13
	19	A070021-42	PIN	Ø7×15	1	11,10	13,88
	20	A080009-41	SPRING WASHER	Ø10.2×3.7×2.5t	2	0,90	1,13
	21	A080011-00	WASHER	Ø10.3×15×1.5	25	3,00	3,75
	22	A080012-41	SPRING WASHER	Ø8.2×3.2×2t	4	0,60	0,75
	23	A080086-41	WASHER	Ø13×Ø22×0.8t	2	2,10	2,63
	24	A080095-41	WASHER	Ø8.2×Ø16×1t	4	0,90	1,13
	25	A090060-41	SPACER	Ø15×Ø8.5×7.5	2	0,30	0,38
	26	A100016-43	CIRCLIP,E TYPE	Ø5	1	0,30	0,38
	27	A110040-43	SPRING	Ø8×Ø1.2	1	4,20	5,25
	28	A110041-41	SPRING	Ø14×Ø12.5×49.5L	1	7,20	9,00

BRAKE SYSTEM

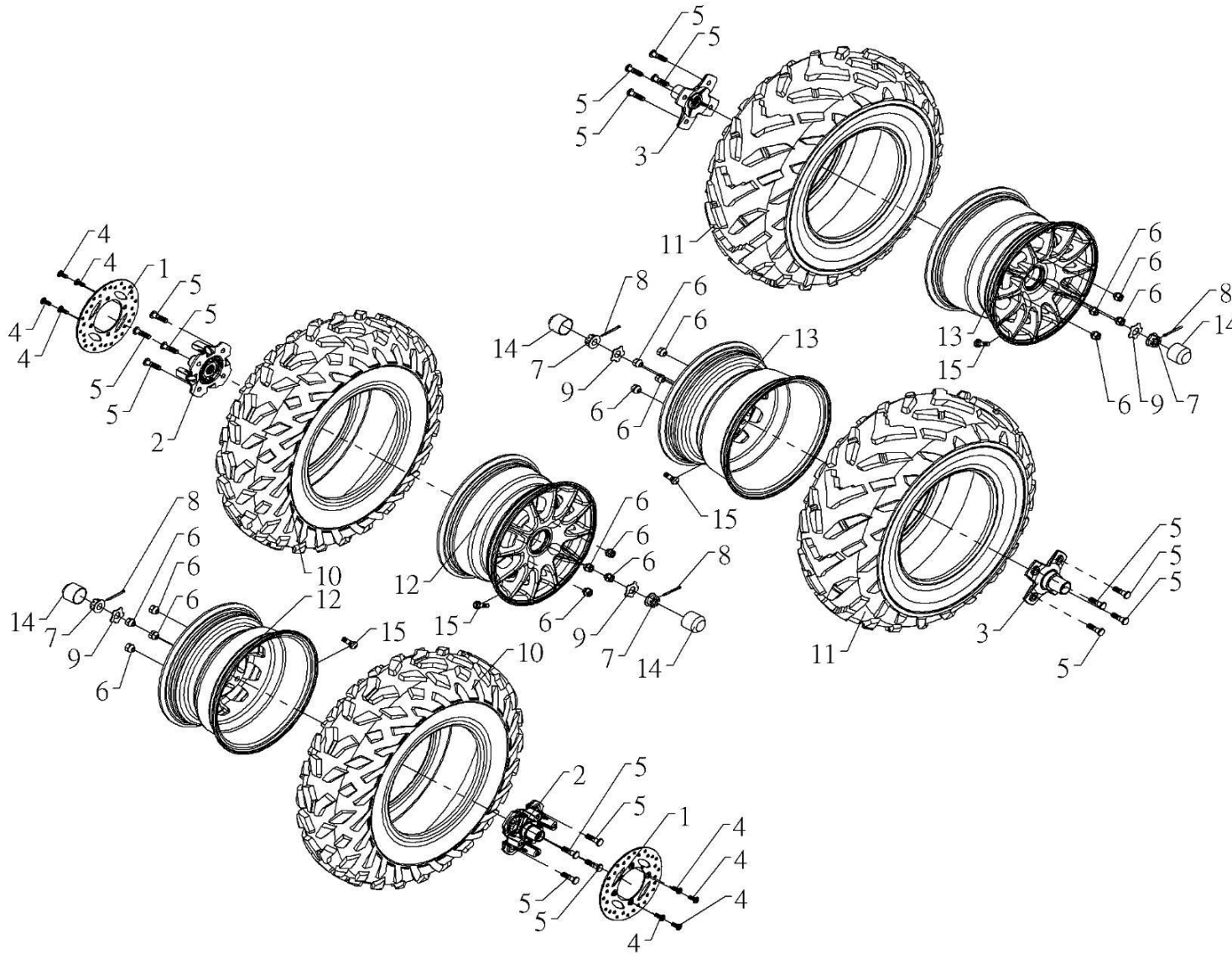


D1035-201A

BRAKE SYSTEM

Model	Item	Part no	Description	Specification	Quantity	Excl. moms	Inkl. moms
	29	A220015-00	PRESSURE VALVE	Ø14	2	408,00	510,00
	30	F210077-00	REAR DISK,BRAKE	Ø170	1	651,00	813,75
	31	A190128-00	FOOT BRAKE SENSOR		1	174,00	217,50
	32	A220067-00	BRAKING HOSE		1	492,00	615,00
	33	A220070A00	BRAKING HOSE		1	426,00	532,50
	34	A220082-00	BRAKING HOSE	1655L	1	439,20	549,00
	35	A220072-00	BRAKING HOSE		1	676,80	846,00
	36	F140203-00	CONNECTOR		1	7,80	9,75
	37	F150046-00	BUSH		2	13,50	16,88
	38	F170060A42	TORSION SPRING		1	9,00	11,25
	39	A220080-00	BRAKING HOSE	760L	1		
	40	A220081-00	BRAKING HOSE	660L	1		
	41	F210182-00	REAR BRAKE ASSY.		1	432,00	540,00
	42	F210176-00	BRAKE PAD,ASSY		2	135,00	168,75
	43	F140239-00	BRAKE PAD,ASSY		1	204,00	255,00

WHEEL

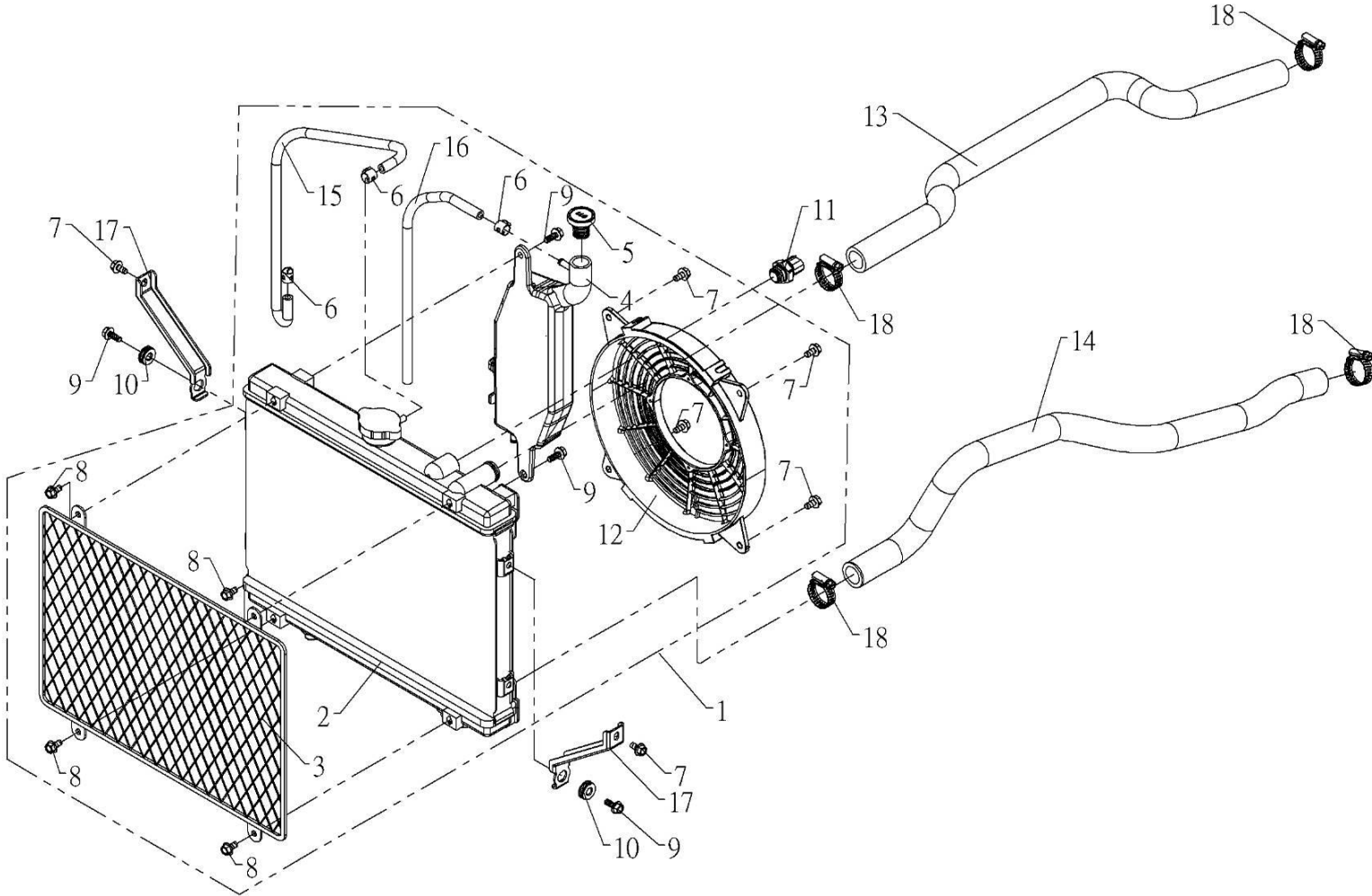


D1035-211A

WHEEL

Model	Item	Part no	Description	Specification	Quantity	Excl. moms	Inkl. moms
	01	F210076-00	FRONT DISK,BRAKE	Ø200	2	415,80	519,75
	02	F210101-48	HUB,FRONT WHEEL		2	336,00	420,00
	03	F210107-48	HUB,REAR WHEEL		2	258,00	322,50
	04	A050183-41	FHSC	M8×1.25×17L	8	11,40	14,25
	05	A050208-41	INSERT BOLT	M10×1.25×40L	16	8,10	10,13
	06	A060061-41	NUT	M10×1.25	16	9,60	12,00
	07	A060081-42	CASTLE NUT	M18×1.5	4	136,80	171,00
	08	A070048-41	COTTER PIN	Ø4×46L	4	3,00	3,75
	09	A080126-00	SPRING WASHER		4	15,30	19,13
	10	A250006-00	TIRE	AT25×8	2	869,40	1086,75
	11	A250007-00	TIRE	AT25×10	2	980,46	1225,58
	12	A250014-00	RIM	12×6	2	1200,60	1500,75
	13	A250015-00	RIM	12×7.5	2	1319,40	1649,25
	14	A990286-00	NAME PLATE		4	90,00	112,50
	15	F020154-00	RIM VALVE		4	11,40	14,25

RADIATOR

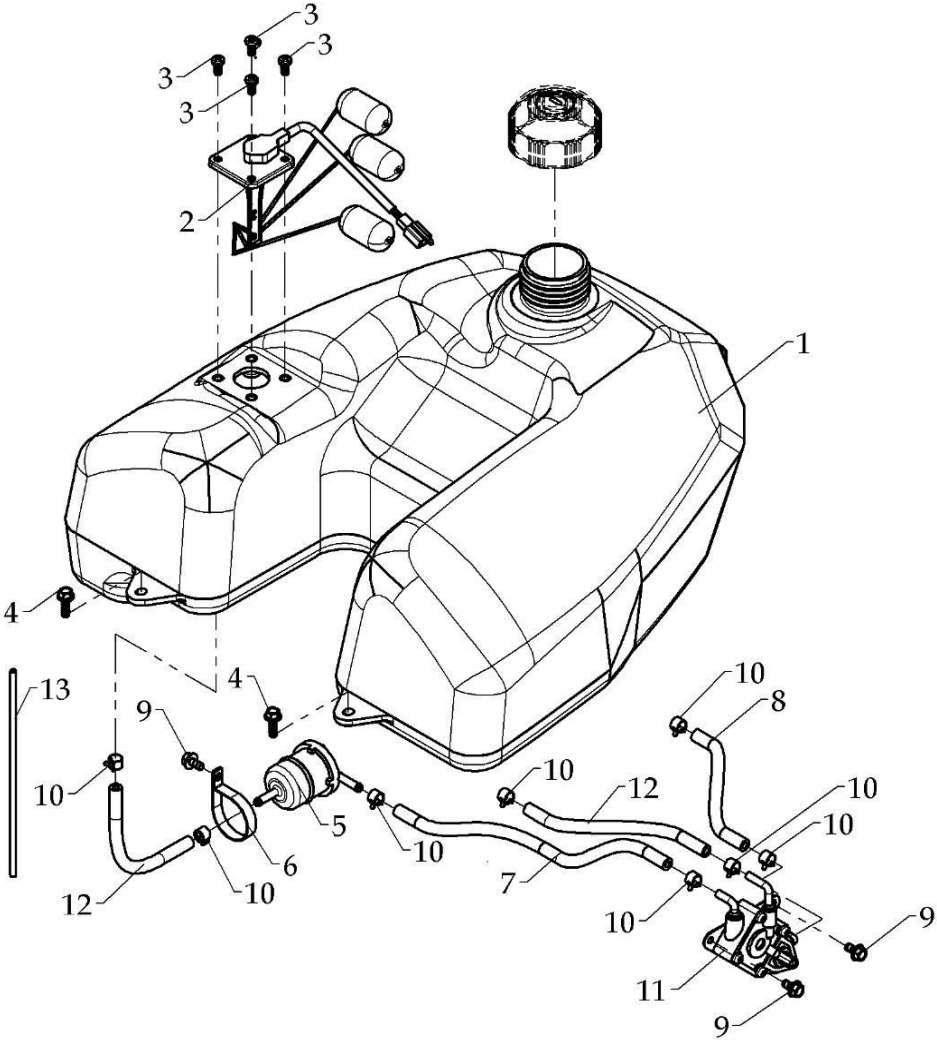


D1035-221A

RADIATOR

Model	Item	Part no	Description	Specification	Quantity	Excl. moms	Inkl. moms
	01	F210031-00	RADIATOR ASSEMBLY		1		
	02	F210051-00	RADIATOR		1	1584,00	1980,00
	03	F210127-50	RADIATOR PROTECTOR		1	288,00	360,00
	04	F210093-00	TANK, RESERVOIR		1	114,00	142,50
	05	F210096-00	TANK, RESERVOIR		1	15,00	18,75
	06	F020197-00	TUBE CLIP	9.2×0.6	3	2,70	3,38
	07	A050017-41	HEXAGONAL FLANGE BOLT	M6×1.0×12L	6	1,50	1,88
	08	A050017-43	HEXAGONAL FLANGE BOLT	M6×1.0×12L	4	1,50	1,88
	09	A050024-41	HEXAGONAL FLANGE BOLT	M6×1.0×16L	4	2,10	2,63
	10	A080124-00	BUSH		2	7,50	9,38
	11	A190125-00	SWITCH, COOLING FAN		1	450,00	562,50
	12	A190131-00	COOLING FAN ASSEMBLY		1	720,00	900,00
	13	A220063-00	WATER HOSE	Ø21×Ø30×650L	1	210,00	262,50
	14	A220064-00	WATER HOSE	Ø21×Ø30×730L	1	345,00	431,25
	15	A220065-00	WATER HOSE	Ø6×Ø10.5×600L	1	39,00	48,75
	16	A220066-00	WATER HOSE	Ø6×Ø10.5×410L	1	27,00	33,75
	17	A230215-50	COOLER BRACKET		2	38,70	48,38
	18	F150146-00	TUBE CLIP	Ø30~Ø40	4	13,80	17,25

FUEL TANK

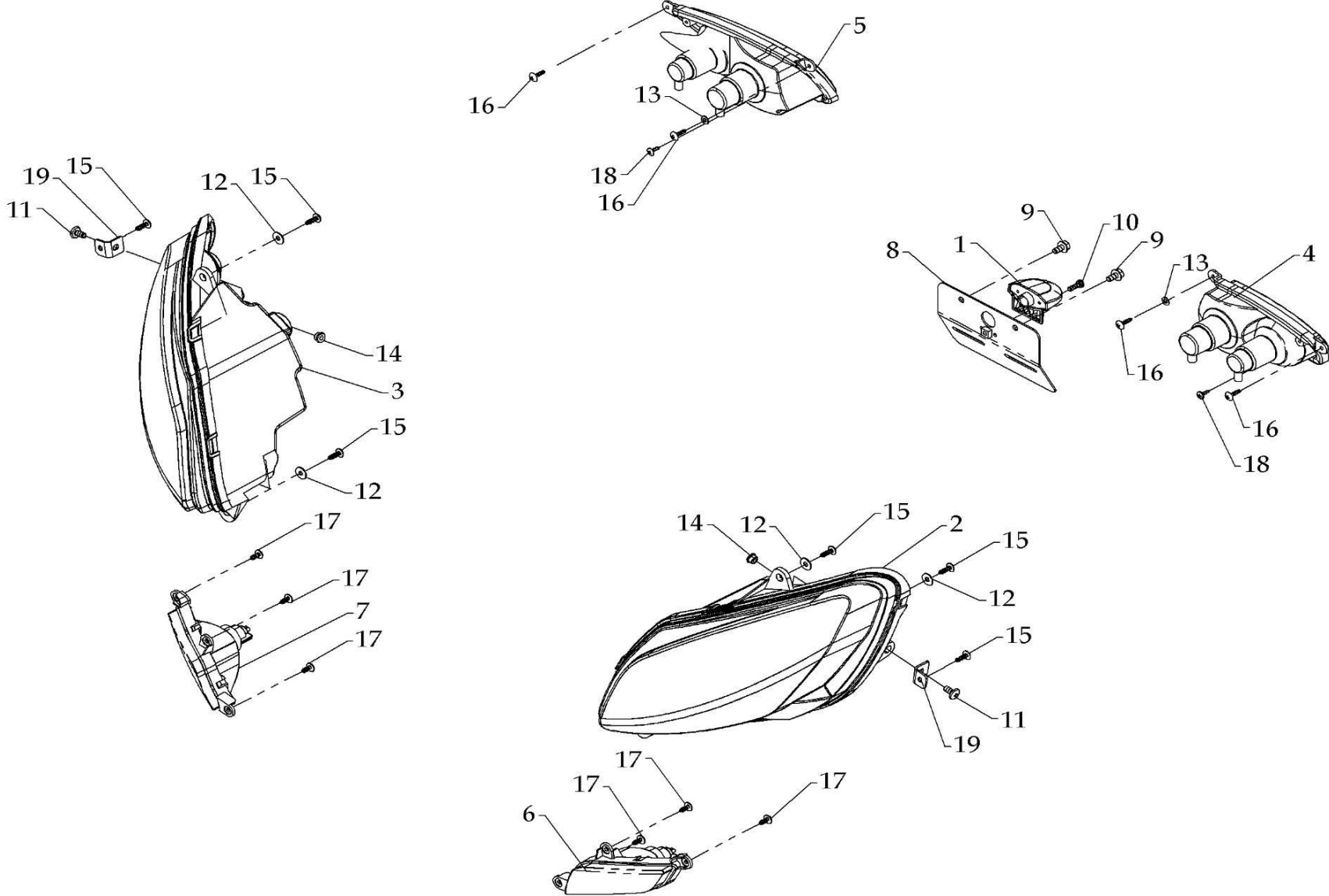


D1035-231A

FUEL TANK

Model	Item	Part no	Description	Specification	Quantity	Excl. moms	Inkl. moms
	01	F210032-00	OIL TANK		1	640,80	801,00
	02	F210058-00	FUEL TANK CAP LOCK		1	294,00	367,50
	03	A050271-41	SCREW	M6×P1.0×12L	4	4,80	6,00
	04	A050016-41	HEXAGONAL FLANGE BOLT	M6×1.0×20L	2	2,10	2,63
	05	F150223-00	FUEL FILTER ASSEMBLY		1	84,00	105,00
	06	A220073-41	STRAP		1	7,50	9,38
	07	A220075-00	FUEL TUBE	Ø5.3×Ø10.5×280L	1	21,00	26,25
	08	A220077-00	FUEL TUBE	Ø5.3×Ø10.5×130L	1	10,50	13,13
	09	A050017-41	HEXAGONAL FLANGE BOLT	M6×1.0×12L	3	1,50	1,88
	10	A220036-00	TUBE CLIP	Ø10×8×0.6t	8	3,30	4,13
	11	A240005-00	FUEL PUMP,RETURN		1	750,00	937,50
	12	A220076-00	FUEL TUBE	Ø5.3×Ø10.5×180L	2	13,50	16,88
	13	F150116-00	FUEL TUBE	Ø2.6×Ø5×210L	1	40,50	50,63

LIGHT

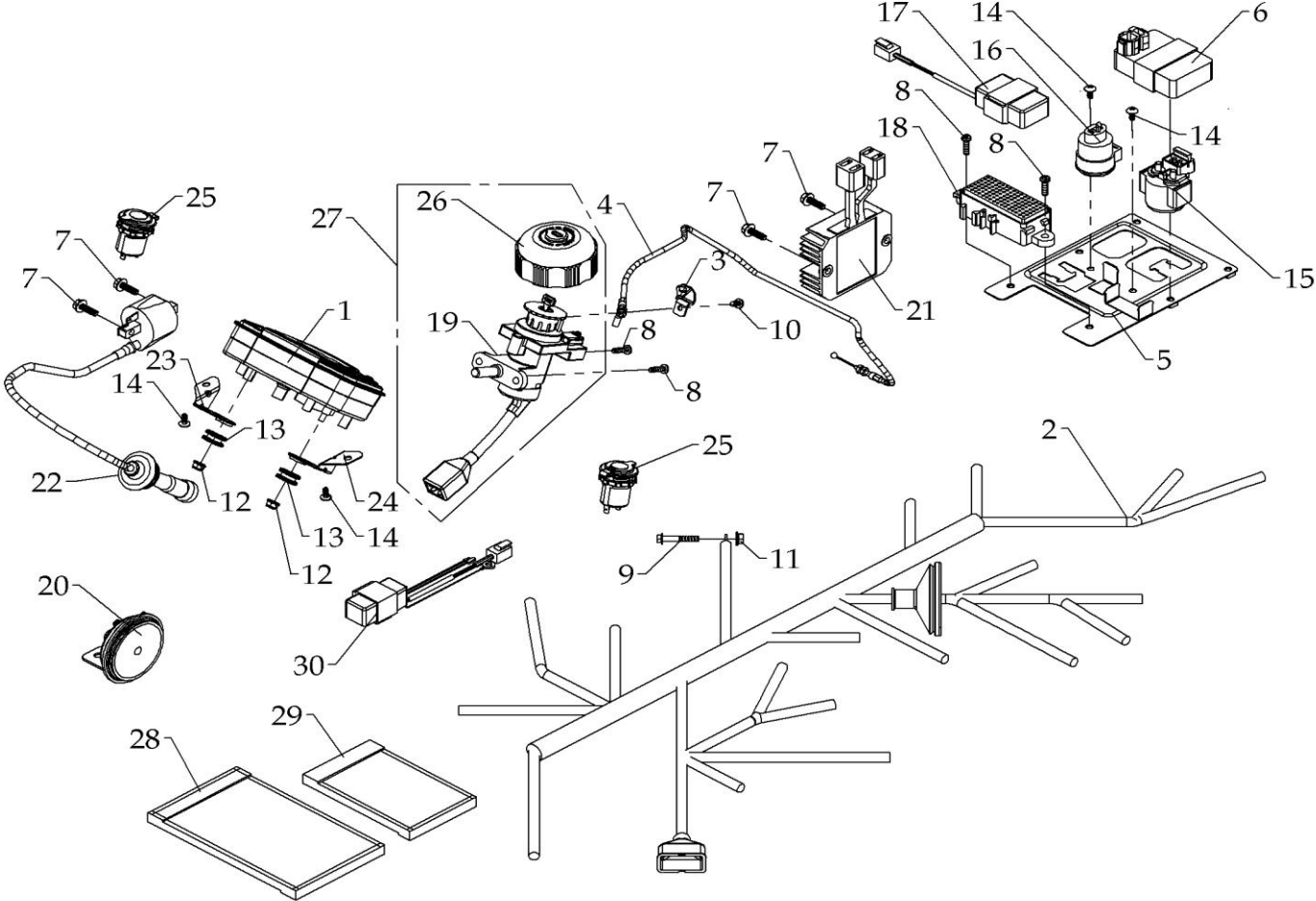


D1035-241A

LIGHT

Model	Item	Part no	Description	Specification	Quantity	Excl. moms	Inkl. moms
	01	A180073-00	LAMPS,LICENSE PLATE		1	150,00	187,50
	02	A180088-00	HEAD LIGHT	LEFT	1	576,00	720,00
	03	A180089-00	HEAD LIGHT	RIGHT	1	576,00	720,00
	04	A180069-00	TAIL LIGHT&DIRECTIONAL	LEFT	1	450,00	562,50
	05	A180070-00	TAIL LIGHT&DIRECTIONAL	RIGHT	1	450,00	562,50
	06	A180092-00	DIRECTIONAL	LEFT	1	180,00	225,00
	07	A180093-00	DIRECTIONAL	RIGHT	1	180,00	225,00
	08	F210048-50	LICENSE PLATE		1	67,50	84,38
	09	A050017-41	HEX WASHER FACE BOLT	M6×1.0×12L	2	1,50	1,88
	10	A050031-41	PAN HEAD BOLT	M5×0.8×16L	1	2,70	3,38
	11	A050091-41	MACHINE SCREW	M6×1.0×12L	2	3,00	3,75
	12	A080034-41	SPACER	Ø5.5×Ø15×1.0	4	1,20	1,50
	13	A080041-00	SPACER	Ø5.3×Ø10×1t	2	1,20	1,50
	14	A090053-42	BUSHING		2	22,50	28,13
	15	A130005-43	TAPPING SCREW	5mm×16	6	0,90	1,13
	16	A130007-43	TAPPING SCREW	4mm×16L	4	0,60	0,75
	17	A130018-43	TAPPING SCREW	5mm×12L	6	0,90	1,13
	18	A130024-43	TAPPING SCREW	4×12L	2	3,00	3,75
	19	A230265-50	BRACKET		2	8,10	10,13

ELECTRIC SYSTEM

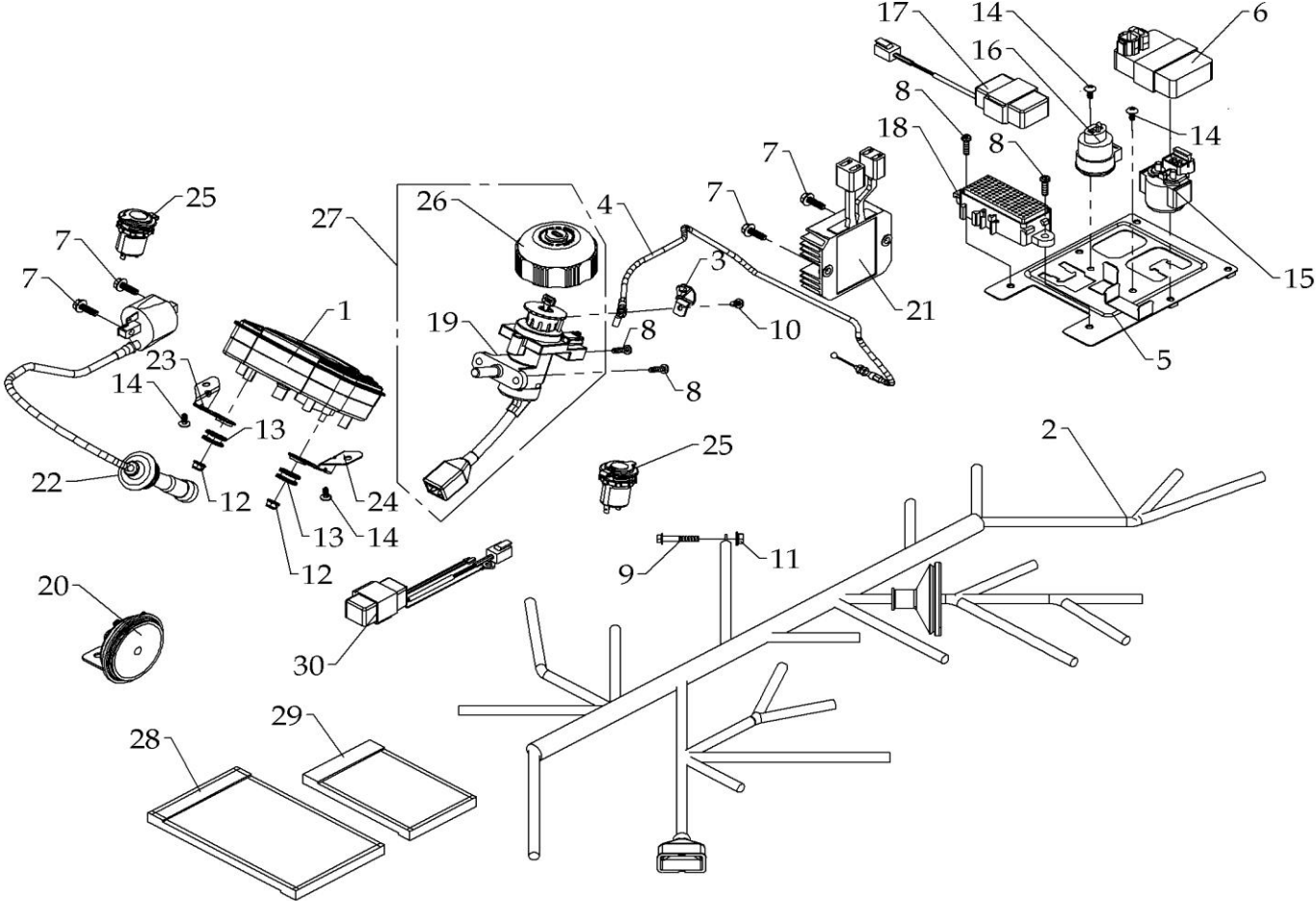


D1035-251A

ELECTRIC SYSTEM

Model	Item	Part no	Description	Specification	Quantity	Excl. moms	Inkl. moms
	01	F210035-00	SPEEDOMETER	CAB	1	1339,20	1674,00
	02	F210124-00	MAIN CABLE ASSY'		1	2399,94	2999,93
	03	F210125-42	BRACKET		1	22,50	28,13
	04	F210126-00	SEAT CABLE		1	126,00	157,50
	05	F210027-50	BRACKET,ELECTRICS PARTS		1	112,50	140,63
	06	A190108-00	C.D.I	63R	1	1062,00	1327,50
	07	A050016-41	HEXAGONAL FLANGE BOLT	M6×1.0×20L	4	2,10	2,63
	08	A050033-41	SCREW	M6×1.0×20L	4	1,20	1,50
	09	A050139-41	HEXAGONAL FLANGE BOLT	M6×1.0×35L	1	2,40	3,00
	10	A050159-41	PANHEAD SCREW & WASHER	M5×0.8×10L	1	1,80	2,25
	11	A060009-41	HEX INSERT LOCK NUT	M6×1.0	1	0,60	0,75
	12	A060053-41	HEX INSERT LOCK NUT	M6×1.0	2	3,90	4,88
	13	A080125-00	BUSH		2	9,00	11,25
	14	A130018-43	TAPPING SCREW	5mm×12L	4	0,90	1,13
	15	A190102-00	STARTER RELAY		1	360,00	450,00
	16	A190119-00	FLASH RELAY		1	186,00	232,50
	17	A190070-00	STARTER RELAY		1	312,00	390,00
	18	F210156-00	TOOL BAG		1	237,00	296,25
	19	A190105-00	SWITCH ASSY,IGNITION		1	532,80	666,00
	20	A190133-00	HORN		1	855,00	1068,75
	21	A190101-00	REGULATOR		1	619,20	774,00
	22	A190107-00	IGNITION COIL		1	378,00	472,50
	23	A230206-50	R.BRACKET , METER	RIGHT	1	22,20	27,75
	24	A230208-50	L.BRACKET, METER	LIFT	1	22,20	27,75
	25	A190109-00	TERMINAL ASSY		2	204,00	255,00
	26	A190112-01	FUEL TANK CAP LOCK		1	270,00	337,50
	27	A190113-00	LOCK COMPLEMENT		1	936,00	1170,00
	28	A930005-00	STRAP	120×200	1	18,60	23,25

ELECTRIC SYSTEM



D1035-251A

ELECTRIC SYSTEM

Model	Item	Part no	Description	Specification	Quantity	Excl. moms	Inkl. moms
	29	F040097-00	JACKET		1	11,10	13,88
	30	A190137A00	CONTROLLER		1		

STICKERS

WARNING

3

WARNING

IMPROPER TIRE PRESSURE OR OVERLOADING CAN CAUSE LOSS OF CONTROL. LOSS OF CONTROL CAN RESULT IN SEVERE INJURY OR DEATH.

COLD TIRE PRESSURE: Set with tires cold
 Recommended : FRONT : 35kpa, {0.35bar} , 5.0psi
 REAR : 30kpa, {0.3 bar} , 4.4psi

Maximum Vehicle Load : 250 kg, (551 lbs)
 Includes weight of operator, cargo and accessories.

7

WARNING

Failure to stop vehicle completely before doing the following could result in your being thrown from the ATV.

To engage reverse:

- Stop vehicle completely.
- Shift transmission to neutral.
- Bring engine to idle. Apply brake.
- Shift range lever fully toward rear.

To engage Hi-Lo range:

- Stop vehicle completely.
- Bring engine to idle.
- Operate range lever while applying brake.

Hi- range: Normal riding.
 Lo-range: Severe load conditions.
 Read owner's manual for additional information.

6

WARNING

Front
 NEVER carry passenger on this carrier.
MAXIMUM LOAD : 30 kg (66 lbs)

10

WARNING

Rear
 NEVER carry passenger on this carrier.
MAXIMUM LOAD : 60 kg (132 lbs)

11

WARNING

Keep hands, hair, clothing, etc., away from fan. Fan starts automatically and may cause injury.

12



2



1

WARNING

Accessory must not exceed 40W rating and must be 12V type. Exceeding 40W or using other than 12V accessory can damage ATV electrical system and accessory.

4

Attention!

To LOCK the steering, please sit on the vehicle and turn the steering handlebar RIGHT or LEFT to the end and turn the key COUNTER-CLOCKWISE.
 To UNLOCK the steering, turn the key CLOCKWISE.
 Failing to follow the instruction will cause the lock functionless and a possible danger from a deadlock to steering.

15

WARNING

Failure to stop vehicle completely before doing the following could result in your being thrown from the ATV.

To engage reverse:

- Stop vehicle completely.
- Shift transmission to neutral.
- Bring engine to idle. Apply brake.
- Shift range lever fully toward rear.

5

MANUFACTURED BY: DINLI METAL IND. CO.,LTD			
GVWR: 550 Kgs (1212 lbs)	DATE OF MEG:		
GAWR:	TIRE-DIMENSION-RIM	PSI COLD	
FRONT: 250 kgs (551 lbs)	25 X 8 - 12	5.0	
REAR : 300 kgs (661 lbs)	25 X 10 - 12	4.4	
THIS VEHICLE CONFORMS TO ALL APPLICABLE U.S FEDERAL MOTOR VEHICLE SAFETY STANDARDS (FMVSS) AND EC DIRECTIVES IN EFFECT ON THE DATE OF MANUFACTURE SHOWN ABOVE.			
VEHICLE TYPE : 700 CC ATV			

16

Brake completely for gear change

9

Attention!

Please be sure to switch on the Lock button on left handlebar while using 4WD Lock.

14

UNLEADED FUEL ONLY

8

WARNING

Use care when refill coolant. Do not spill out coolant which may be corrosive to vehicle surface.

13

Attention!

At 4WD Lock may cause steering hard and difficult to control the handlebar

17

STICKERS

Model	Item	Part no	Description	Specification	Quantity	Excl. moms	Inkl. moms
	01	A990289-00	STYLING STICKERS		1	210,00	262,50
	02	A990292-00	PLATE,LOGO	DINLI-MARK	1	120,00	150,00
	03	A990295-00	STICKERS		1	12,00	15,00
	04	A990296-00	STICKERS		1	4,50	5,63
	05	A990297-00	STICKERS		1	6,00	7,50
	06	A990298-00	STICKERS		1	9,00	11,25
	07	A990299-00	STICKERS		1	9,00	11,25
	08	A990300-00	STICKERS		1	4,50	5,63
	09	A990301-00	STICKERS		1	4,50	5,63
	10	A990302-00	STICKERS		1	6,00	7,50
	11	A990303-00	STICKERS		1	6,00	7,50
	12	A990304-00	STICKERS		1	6,00	7,50
	13	A990305-00	STICKERS		1	6,00	7,50
	14	A990306-00	STICKERS		1	6,00	7,50
	15	A990307-00	STICKERS		1	7,50	9,38
	16	A990308-00	STICKERS		1	13,50	16,88
	17	A990309-00	STICKERS		1		